

Nexus Connect

ULTRA HIGH PURE PFA INSERT FITTINGS

Nexus Connect

ULTRA HIGH PURE PFA INSERT FITTINGS

特點和優勢

高純組件 均採用超高純原生PFA材料製成，並在無塵室內採用專用的五級清潔系統進行清潔。

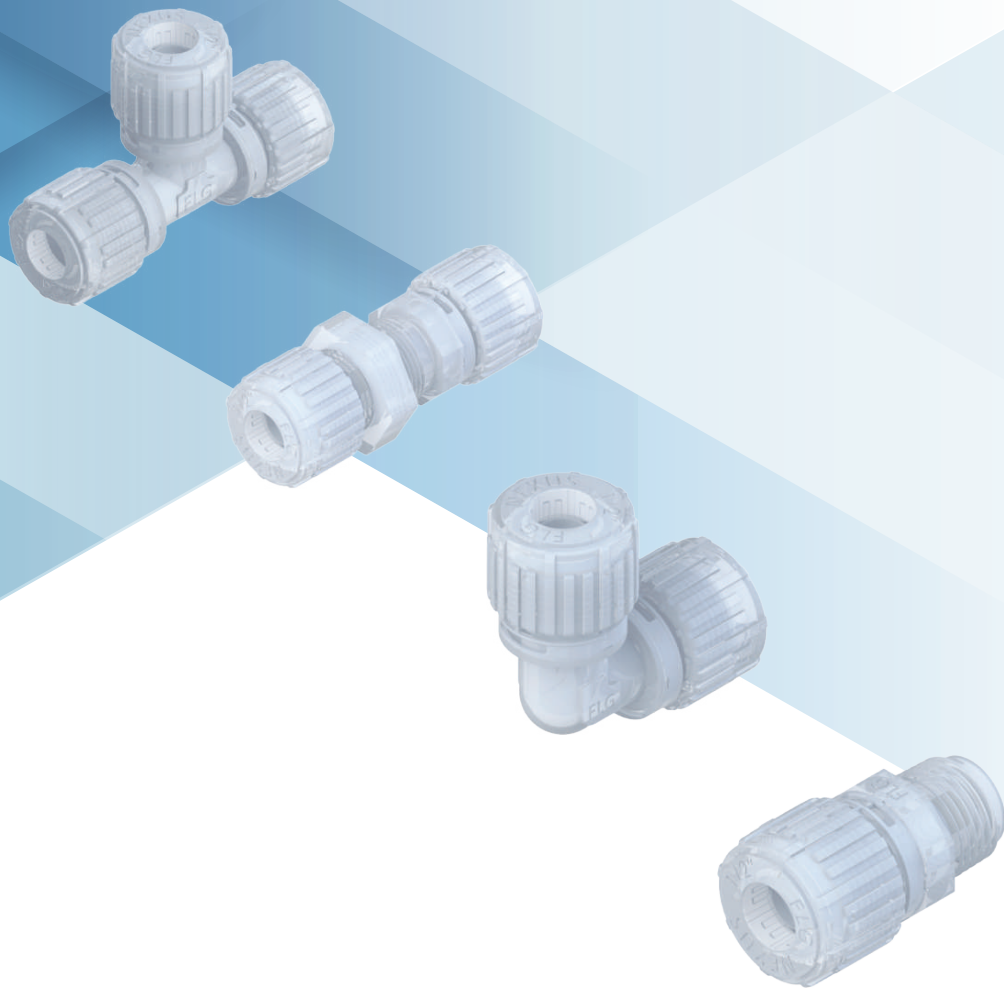
溫度 1/4" 到 1" 之間的接頭都能夠承受200°C額定溫度。

相容性 Nexus Connect接頭可相容並替代市場上其他的流體管接頭。

裝配簡單 TruFASTEN®扭力扳手可完拆裝Nexus Connect配件，多次拆裝也不會洩漏。

包裝 每個接頭都按照SEMI 57-0120標準在無塵室內完成包裝。內袋防靜電，規格符合IEST-CC-1246E標準，潔淨度100級。

可追溯性 接頭從原材料、製造到包裝整個過程可追溯。每個接頭產品標籤上均已註明零件號、產品說明及批號。



半導體應用

- 大宗化學品和研磨液輸送
- 化學品和研磨液混合與分配
- 化學機械研磨(CMP)
- 高溫濕式清洗製程
- 黃光顯影
- 濕式蝕刻



TABLE OF CONTENTS

Nexus Connect Introduction.....	3	Male Branch Tee	21
Integrated Gauge Ring	4	Male Run Tee.....	22
Acceptable Operating Range.....	5	Union Tee	23
Ordering Info—Pipe Thread Connectors/Unions	6	Union Tee (TightINSERT) Branch	23
Ordering Info—Weld Connectors/Nuts & Sleeves	7	Union Tee (TightINSERT) Run.....	24
Male Connector	8	Union Tee (TightINSERT) Branch-Run.....	25
Male Connector (TightINSERT)	9	Union Tee (TightINSERT) Run-Run.....	26
Male Connector Panel Mount	10	Union Tee (TightINSERT) All	26
Female Connector	11	Cap	27
Straight Union.....	12	Cap Sleeve	27
Straight Union Reducer	12	Sleeve.....	28
Straight Union Adapter (TightINSERT).....	13	Gauge Ring.....	28
Tube Union (TightINSERT).....	13	Insert Nut	29
Straight Union Panel Mount	14	Panel Mount Nut	29
Straight Union Panel Mount Reducer.....	14	Weld Straight Connector (Pipe x Male).....	30
TightINSERT Male Reducer	15	Weld Straight Connector (TightINSERT).....	31
TightINSERT Male Increaser.	15	Weld Straight Connector (Tube Straight x Male)	32
Male Elbow.....	16	Weld Elbow Connector.....	33
Male Elbow (TightINSERT).....	16	Weld Elbow Connector (TightINSERT).....	33
Union Elbow	17	Weld Tee Connector	34
Union Elbow Reducer	17	Weld Tee Connector (TightINSERT)	35
Union Elbow (TightINSERT).....	18	Nexus Connect Tube Assembly System	36
Union Elbow (TightINSERT) All.	19	Nexus Connect Torque Wrench System.....	37
Union Elbow Reducer (TightINSERT) All	19	Nexus Connect Operating Instructions	38
Union Elbow Panel Mount.....	20	The Fit-Line Story.....	39
Union Elbow Sweep.....	20		

高純度 PFA 接頭，強度高，適用於腐蝕性化學應用。

Nexus Connect 接頭的設計和製造符合 Fit-Line Global 的高品質要求，以確保安全、可靠、無洩漏連接。因此，對於高純度和腐蝕性化學半導體應用而言，該系列接頭是理想選擇。

特點和優勢

- **高純組件** – 所有元件均採用超高純原生PFA材料製成，並在通過認證的千級無塵室內採用專用的五級清潔系統進行清潔。
- **溫度** – 尺寸在1/4" 到 1" 之間的接頭都能夠承受 392°F (200°C) 額定溫度。
- **相容性** – Nexus Connect接頭可相容並替代市場上其他的流體管接頭。
- **裝配簡單** – TruFASTEN® 扭力扳手經行業驗證可完美用於拆裝Nexus Connect配件，確保多次拆裝也不會洩漏。

• 包裝

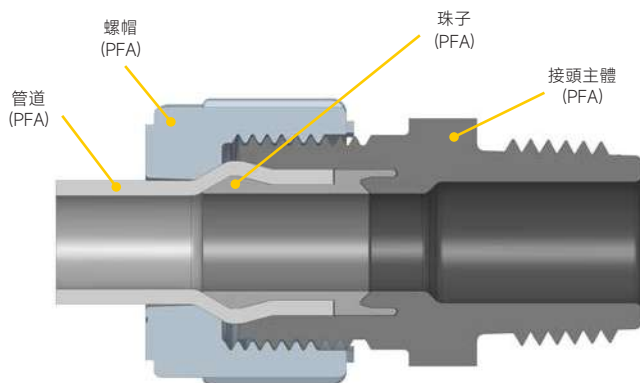
每個接頭都按照SEMI 57-0120標準在通過認證的千級無塵室內採用聚乙烯雙套袋完成包裝。內袋防靜電，規格符合IEST-CC-1246E標準，潔淨度 100 級。

• 可追溯性

每個接頭從原材料、製造到包裝整個過程可追溯，符合SEMI 57-0120標準。每個接頭產品標籤上均已註明零件號、產品說明及批號。

半導體應用

- 大宗化學品和研磨液輸送
- 化學品和研磨液混合與分配
- 化學機械研磨(CMP)
- 高溫濕式清洗製程
- 黃光顯影
- 濕式蝕刻



RoHS Compliant		規格		
材質	接頭主體	珠子	螺帽	
	可溶性聚四氟乙烯	可溶性聚四氟乙烯	可溶性聚四氟乙烯	

semi® Semi 57-0120系列已達標		
表面可提取物	離子污染試驗	合格
	金屬污染物檢測	合格
	總有機碳含量檢測	合格
表面粗糙度	最大Ra 值≤0.35 μm	合格

整合校準環規

性能與優點

- 易於組裝
當使用扭力扳手組裝到適當的扭力時，會聽到「咔嚓」一聲。
- 確保在組裝過程中，無需使用額外的設備或工具。
- 防止螺帽在組裝過程中旋得太緊。



組裝步驟說明

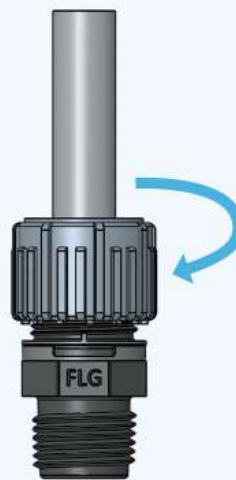
組裝說明步驟，請參照以下圖示。



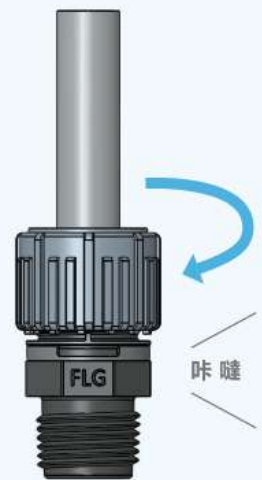
步驟一：
插入管件



步驟二：
滑動螺帽
組裝配件



步驟三：
手動擰緊螺帽



步驟四：
使用扭力扳手持續
擰緊螺帽直到聽到
「咔嚓」一聲

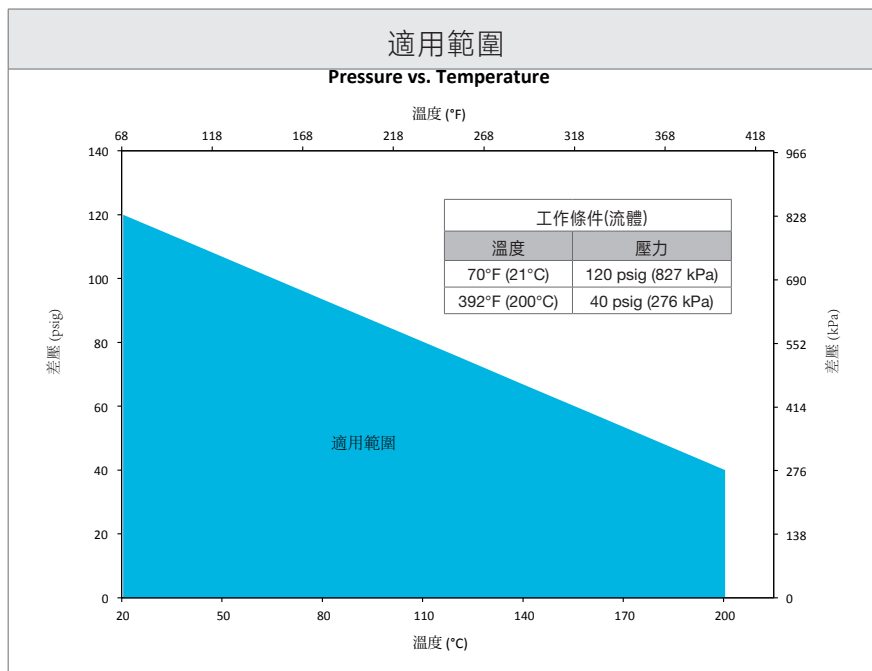
鑒定測試結果

迴圈壓力/洩漏試驗 在1.5倍額定壓力下測試的接頭				
接頭規格	溫度	壓力	迴圈圈數	驗收結果
1/4"	73°F (23°C)	180 psig (1241 kPa)	1,000,000	無洩漏
3/8"	73°F (23°C)	180 psig (1241 kPa)	1,000,000	無洩漏
1/2"	73°F (23°C)	180 psig (1241 kPa)	1,000,000	無洩漏
3/4"	73°F (23°C)	180 psig (1241 kPa)	1,000,000	無洩漏
1"	73°F (23°C)	180 psig (1241 kPa)	1,000,000	無洩漏

迴圈壓力/洩漏試驗-高溫 在1.5倍額定壓力下測試的接頭				
接頭規格	溫度	壓力	迴圈圈數	驗收結果
1/4"	392°F (200°C)	60 psig (414 kPa)	1,000,000	無洩漏
3/8"	392°F (200°C)	60 psig (414 kPa)	1,000,000	無洩漏
1/2"	392°F (200°C)	60 psig (414 kPa)	1,000,000	無洩漏
3/4"	392°F (200°C)	60 psig (414 kPa)	1,000,000	無洩漏
1"	392°F (200°C)	60 psig (414 kPa)	1,000,000	無洩漏

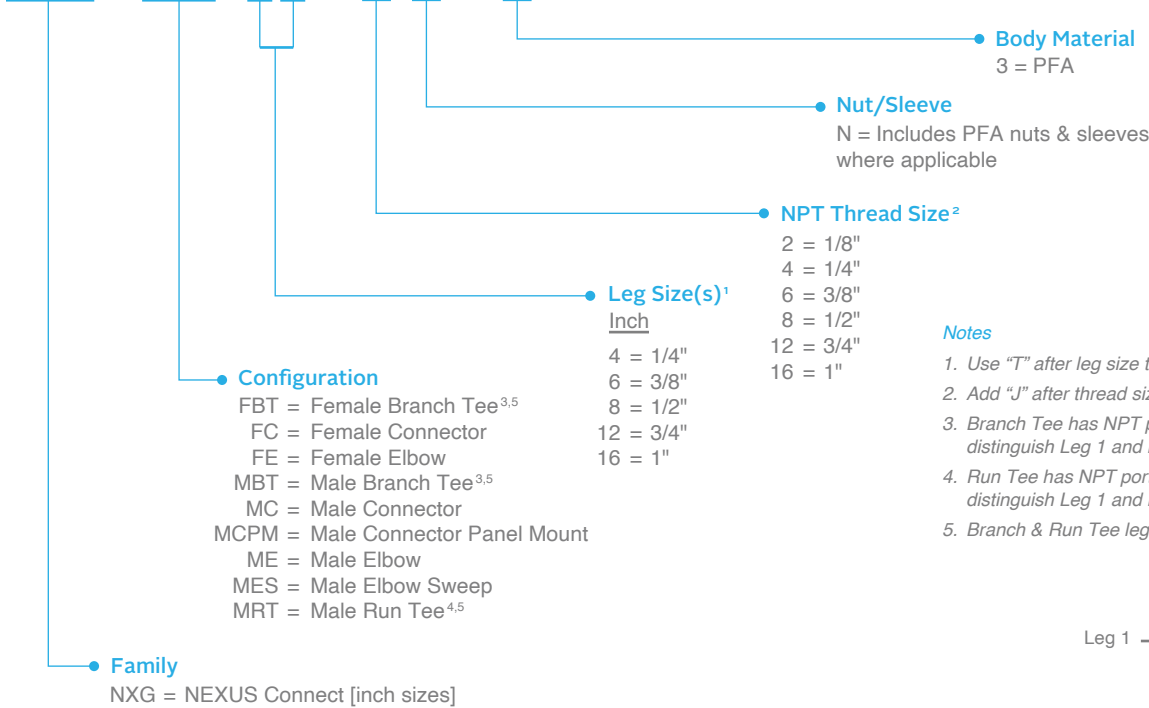
破損壓力試驗		
PFA管規格(以英寸計)	驗收標準	驗收結果
1/4" x 5/32"	管道破裂前接頭處無洩漏現象。	合格。無外部洩漏。
3/8" x 1/4"	管道破裂前接頭處無洩漏現象。	合格。無外部洩漏。
1/2" x 3/8"	管道破裂前接頭處無洩漏現象。	合格。無外部洩漏。
3/4" x 5/8"	管道破裂前接頭處無洩漏現象。	合格。無外部洩漏。
1" x 7/8"	管道破裂前接頭處無洩漏現象。	合格。無外部洩漏。

管道拉力測試		
PFA管規格(以英寸計)	試驗條件	拉力
1/4" x 5/32"	對管件上安裝的接頭施加拉力，直到接頭脫離管件。	62 lbf (276 N)
3/8" x 1/4"		114 lbf (507 N)
1/2" x 3/8"		156 lbf (694 N)
3/4" x 5/8"		232 lbf (1032 N)
1" x 7/8"		353 lbf (1570 N)



PIPE THREAD CONNECTORS:

NXG - FBT 88 - 8 N - 3



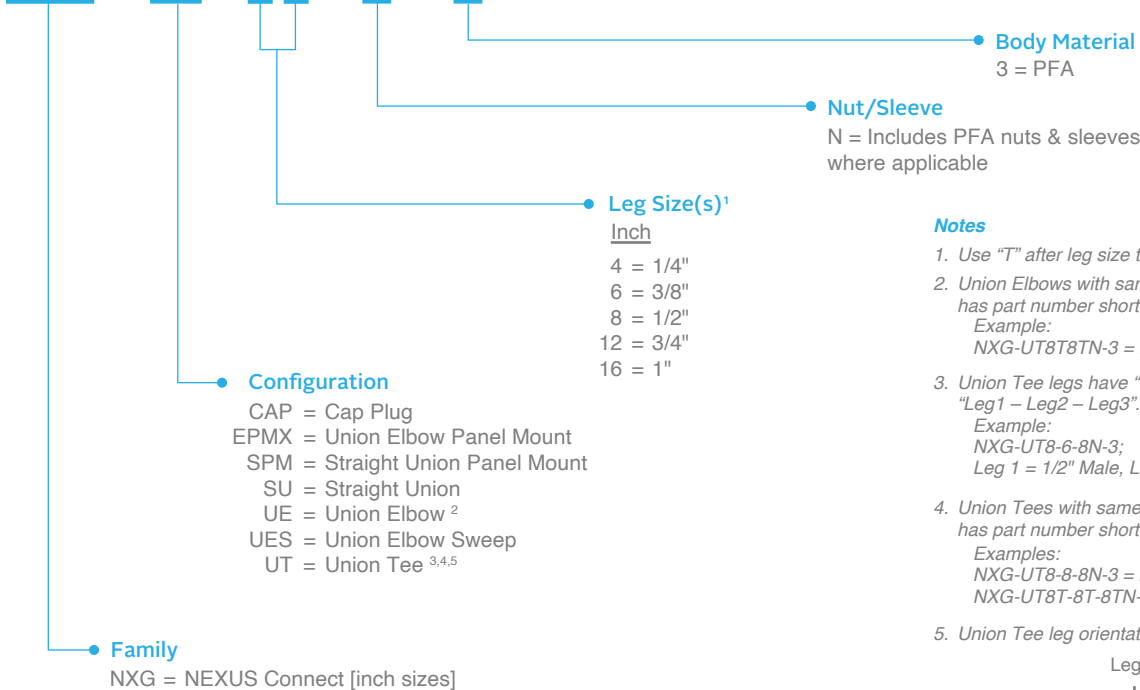
Notes

1. Use "T" after leg size to designate female connection.
2. Add "J" after thread size designator for JIS taper thread.
3. Branch Tee has NPT port on Leg 2. Size designators distinguish Leg 1 and Leg 3 sizes, respectively.
4. Run Tee has NPT port on Leg 3. Size designators distinguish Leg 1 and Leg 2 sizes, respectively.
5. Branch & Run Tee leg orientation:



UNIONS:

NXG - SU 88 - N - 3



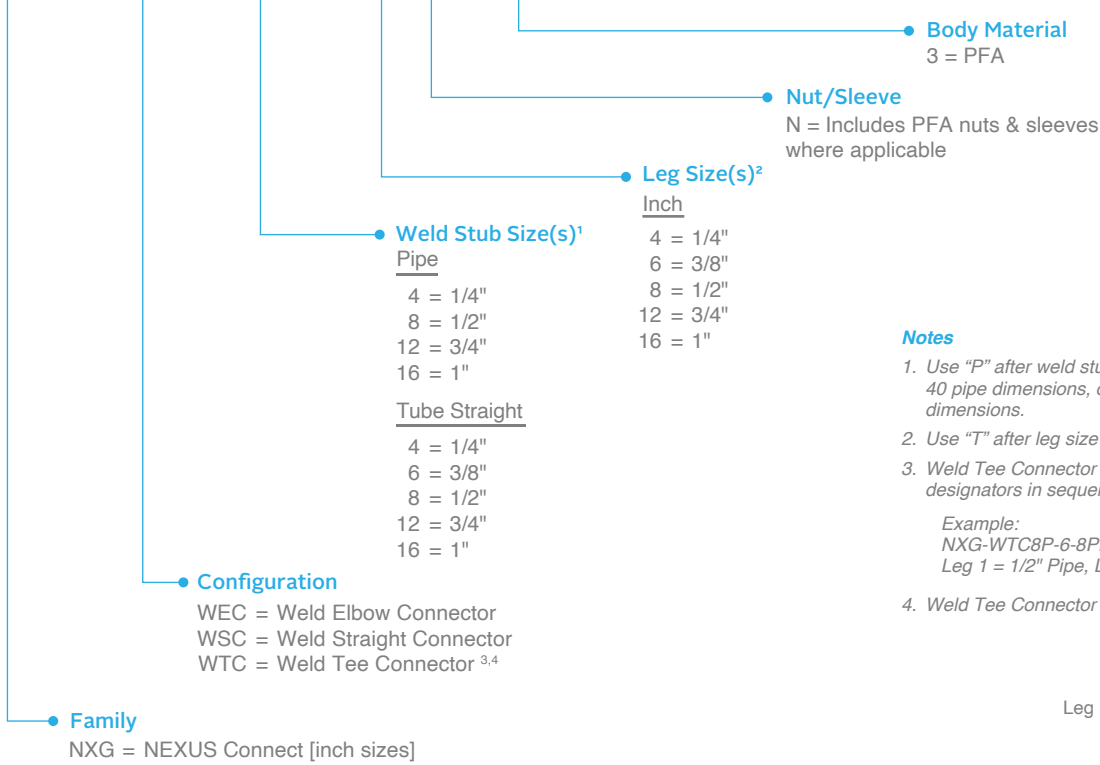
Notes

1. Use "T" after leg size to designate female connection.
2. Union Elbows with same size female connection on both sides has part number shortened to a single leg size descriptor.
Example:
NXG-UT8T8TN-3 = NXG-UT8TN-3
3. Union Tee legs have "-" between size designators in sequence: "Leg1 - Leg2 - Leg3". See image below for reference⁵.
Example:
NXG-UT8-6-8N-3;
Leg 1 = 1/2" Male, Leg 2 = 3/8" Male, Leg 3 = 1/2" Male
4. Union Tees with same size and type connection on all sides has part number shortened to a single leg size descriptor.
Examples:
NXG-UT8-8-8N-3 = NXG-UT8N-3
NXG-UT8T-8T-8TN-3 = NXG-UT8TN-3
5. Union Tee leg orientation:



WELD CONNECTORS:

NXG - WEC 8 P - 8 N - 3



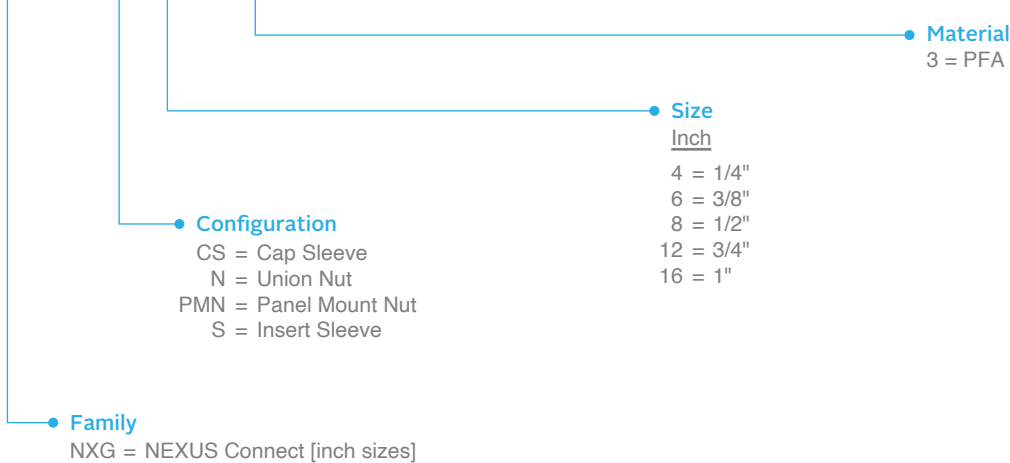
Notes

1. Use "P" after weld stub size to designate schedule 40 pipe dimensions, or "TS" to designate tube straight dimensions.
2. Use "T" after leg size to designate female connection.
3. Weld Tee Connector legs have "." between size designators in sequence: "Leg1 — Leg2 — Leg3".
Example:
NXG-WTC8P-6-8PN-3;
Leg 1 = 1/2" Pipe, Leg 2 = 3/8" Male, Leg 3 = 1/2" Pipe
4. Weld Tee Connector leg orientation:



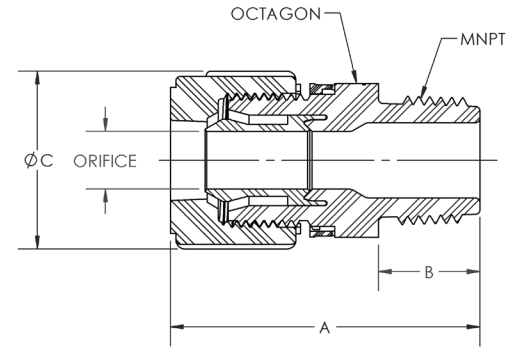
NUTS & SLEEVES:

NXG - N 8 - 3

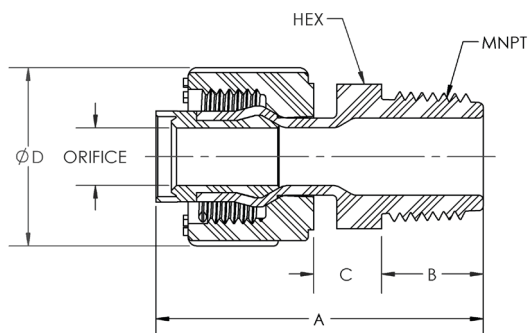


Male Connector (Male x MNPT)

Part No.	Tube Size	MNPT Size	Orifice	A	B	C	Octagon
NXG-MC4-2N-3	1/4" x 5/32"	1/8"	.15	1.40	.37	.68	.59
NXG-MC4-4N-3	1/4" x 5/32"	1/4"	.15	1.55	.52	.68	.59
NXG-MC4-6N-3	1/4" x 5/32"	3/8"	.15	1.57	.54	.68	.59
NXG-MC4-8N-3	1/4" x 5/32"	1/2"	.15	1.69	.66	.68	.91
NXG-MC6-2N-3	3/8" x 1/4"	1/8"	.19	1.57	.37	.97	.83
NXG-MC6-4N-3	3/8" x 1/4"	1/4"	.25	1.72	.52	.97	.83
NXG-MC6-6N-3	3/8" x 1/4"	3/8"	.25	1.74	.54	.97	.83
NXG-MC6-8N-3	3/8" x 1/4"	1/2"	.25	1.86	.66	.97	.83
NXG-MC6-12N-3	3/8" x 1/4"	3/4"	.25	1.97	.77	.97	1.10
NXG-MC8-2N-2	1/2" x 3/8"	1/8"	.19	1.72	.37	1.16	1.00
NXG-MC8-4N-3	1/2" x 3/8"	1/4"	.25	1.87	.52	1.16	1.00
NXG-MC8-6N-3	1/2" x 3/8"	3/8"	.38	1.89	.54	1.16	1.00
NXG-MC8-8N-3	1/2" x 3/8"	1/2"	.38	2.01	.66	1.16	1.00
NXG-MC8-12N-3	1/2" x 3/8"	3/4"	.38	2.12	.77	1.16	1.00
NXG-MC8-16N-3	1/2" x 3/8"	1"	.38	2.44	.98	1.16	1.38
NXG-MC12-6N-3	3/4" x 5/8"	3/8"	.38	2.26	.54	1.56	1.32
NXG-MC12-8N-3	3/4" x 5/8"	1/2"	.49	2.38	.66	1.56	1.32
NXG-MC12-12N-3	3/4" x 5/8"	3/4"	.63	2.49	.77	1.56	1.32
NXG-MC12-16N-3	3/4" x 5/8"	1"	.63	2.69	.98	1.56	1.32
NXG-MC16-8N-3	1" x 7/8"	1/2"	.49	2.68	.66	1.97	1.70
NXG-MC16-12N-3	1" x 7/8"	3/4"	.71	2.79	.77	1.97	1.70
NXG-MC16-16N-3	1" x 7/8"	1"	.88	2.99	.98	1.97	1.70

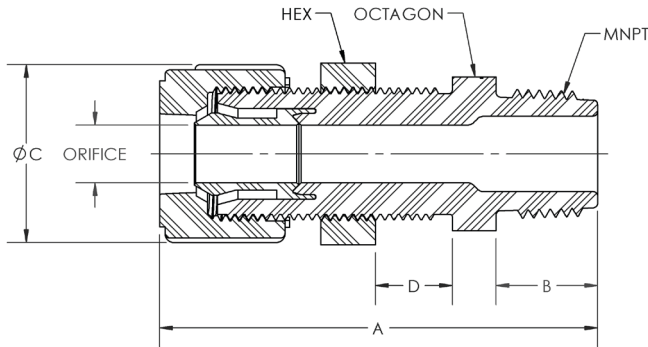


Male Connector (TightINSERT) (Female x MNPT)								
Part No.	Connection Size	MNPT Size	Orifice	A	B	C	D	Hex
NXG-MC4T-2N-3	1/4" x 5/32"	1/8"	.15	1.58	.45	.45	.68	.63
NXG-MC4T-4N-3	1/4" x 5/32"	1/4"	.15	1.67	.55	.44	.68	.63
NXG-MC4T-6N-3	1/4" x 5/32"	3/8"	.15	1.68	.55	.45	.68	.69
NXG-MC4T-8N-3	1/4" x 5/32"	1/2"	.15	1.78	.66	.44	.68	.81
NXG-MC6T-6N-3	3/8" x 1/4"	3/8"	.25	1.82	.55	.44	.97	.81
NXG-MC8T-6N-3	1/2" x 3/8"	3/8"	.38	2.01	.55	.44	1.16	.94
NXG-MC8T-8N-3	1/2" x 3/8"	1/2"	.38	2.12	.66	.44	1.16	.94
NXG-MC12T-12N-3	3/4" x 5/8"	3/4"	.63	2.34	.67	.44	1.56	1.19
NXG-MC12T-16N-3	3/4" x 5/8"	1"	.63	2.52	.85	.44	1.56	1.44
NXG-MC16T-12N-3	1" x 7/8"	3/4"	.69	2.60	.67	.49	1.97	1.44
NXG-MC16T-16N-3	1" x 7/8"	1"	.88	2.78	.85	.49	1.97	1.44



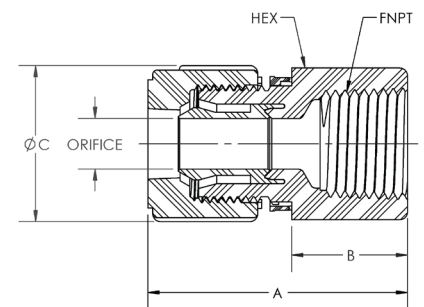
Male Connector Panel Mount
(Male x MNPT)

Part No.	Tube Size	MNPT Size	Orifice	A	B	C	D (Max)	Octagon	Hex	Min Panel Hole Dia
NXG-MCPM4-4N-3	1/4" x 5/32"	1/4"	.15	2.26	.52	.68	.50	.59	.75	.49
NXG-MCPM6-4N-3	3/8" x 1/4"	1/4"	.25	2.45	.52	.97	.50	.83	.98	.73
NXG-MCPM6-6N-3	3/8" x 1/4"	3/8"	.25	2.47	.54	.97	.50	.83	.98	.73
NXG-MCPM8-4N-3	1/2" x 3/8"	1/4"	.25	2.71	.52	1.16	.50	1.00	1.18	.89
NXG-MCPM8-6N-3	1/2" x 3/8"	3/8"	.38	2.73	.54	1.16	.50	1.00	1.18	.89
NXG-MCPM8-8N-3	1/2" x 3/8"	1/2"	.38	2.85	.66	1.16	.50	1.00	1.18	.89
NXG-MCPM12-6N-3	3/4" x 5/8"	3/8"	.38	2.99	.54	1.56	.50	1.32	1.50	1.22
NXG-MCPM12-8N-3	3/4" x 5/8"	1/2"	.49	3.10	.66	1.56	.50	1.32	1.50	1.22
NXG-MCPM12-12N-3	3/4" x 5/8"	3/4"	.63	3.21	.77	1.56	.50	1.32	1.50	1.22
NXG-MCPM16-12N-3	1" x 7/8"	3/4"	.71	3.53	.77	1.97	.50	1.70	1.89	1.61
NXG-MCPM16-16N-3	1" x 7/8"	1"	.88	3.74	.98	1.97	.50	1.70	1.89	1.61



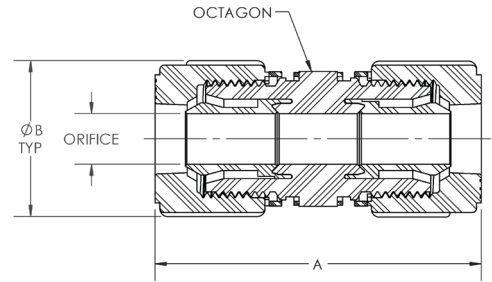
Female Connector
(Male x FNPT)

Part No.	Tube Size	FNPT Size	Orifice	A	B	C	Hex
NXG-FC4-2N-3	1/4" x 5/32"	1/8"	.15	1.53	.79	.68	.63
NXG-FC4-4N-3	1/4" x 5/32"	1/4"	.15	1.58	.84	.68	.75
NXG-FC4-6N-3	1/4" x 5/32"	3/8"	.15	1.66	.92	.68	.94
NXG-FC4-8N-3	1/4" x 5/32"	1/2"	.15	1.60	.86	.68	1.13
NXG-FC6-2N-3	3/8" x 1/4"	1/8"	.25	1.70	.78	.97	*.83
NXG-FC6-4N-3	3/8" x 1/4"	1/4"	.25	1.76	.84	.97	.75
NXG-FC6-6N-3	3/8" x 1/4"	3/8"	.25	1.84	.92	.97	.94
NXG-FC6-8N-3	3/8" x 1/4"	1/2"	.25	1.78	.86	.97	1.13
NXG-FC8-4N-3	1/2" x 3/8"	1/4"	.38	1.85	.78	1.16	*1.00
NXG-FC8-6N-3	1/2" x 3/8"	3/8"	.38	1.99	.92	1.16	.94
NXG-FC8-8N-3	1/2" x 3/8"	1/2"	.38	1.93	.86	1.16	1.13
NXG-FC8-12N-3	1/2" x 3/8"	3/4"	.38	1.99	.92	1.16	1.38
NXG-FC8-16N-3	1/2" x 3/8"	1"	.38	2.21	1.14	1.16	1.63
NXG-FC12-8N-3	3/4" x 5/8"	1/2"	.63	2.32	1.00	1.56	*1.32
NXG-FC12-12N-3	3/4" x 5/8"	3/4"	.63	2.24	.92	1.56	1.38
NXG-FC12-16N-3	3/4" x 5/8"	1"	.63	2.46	1.14	1.56	1.63
NXG-FC16-12N-3	1" x 7/8"	3/4"	.88	2.70	1.17	1.97	*1.70
NXG-FC16-16N-3	1" x 7/8"	1"	.88	2.87	1.34	1.97	*1.70

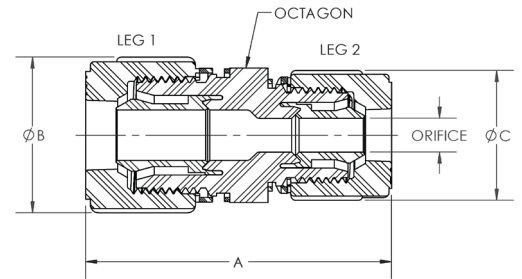


* Octagon shape

Straight Union (Male x Male)					
Part No.	Tube Size	Orifice	A	B	Octagon
NXG-SU44N-3	1/4" x 5/32"	.15	1.77	.68	.59
NXG-SU66N-3	3/8" x 1/4"	.25	2.12	.97	.83
NXG-SU88N-3	1/2" x 3/8"	.38	2.42	1.16	1.00
NXG-SU1212N-3	3/4" x 5/8"	.63	3.04	1.56	1.32
NXG-SU1616N-3	1" x 7/8"	.88	3.63	1.97	1.70

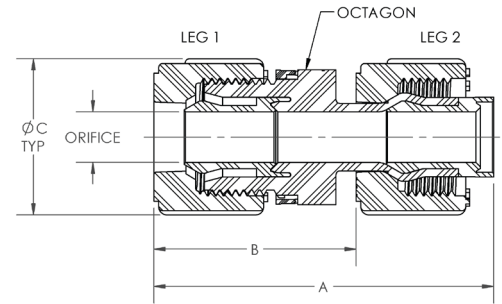


Straight Union Reducer (Male x Male)							
Part No.	Leg 1 Tube Size	Leg 2 Tube Size	Orifice	A	B	C	Octagon
NXG-SU64N-3	3/8" x 1/4"	1/4" x 5/32"	.15	1.94	.97	.68	.83
NXG-SU84N-3	1/2" x 3/8"	1/4" x 5/32"	.15	2.10	1.16	.68	1.00
NXG-SU86N-3	1/2" x 3/8"	3/8" x 1/4"	.25	2.27	1.16	.97	1.00
NXG-SU124N-3	3/4" x 5/8"	1/4" x 5/32"	.15	2.46	1.56	.68	1.32
NXG-SU126N-3	3/4" x 5/8"	3/8" x 1/4"	.25	2.64	1.56	.97	1.32
NXG-SU128N-3	3/4" x 5/8"	1/2" x 3/8"	.38	2.79	1.56	1.16	1.32
NXG-SU166N-3	1" x 7/8"	3/8" x 1/4"	.25	2.93	1.97	.97	1.70
NXG-SU168N-3	1" x 7/8"	1/2" x 3/8"	.38	3.08	1.97	1.16	1.70
NXG-SU1612N-3	1" x 7/8"	3/4" x 5/8"	.63	3.33	1.97	1.56	1.70



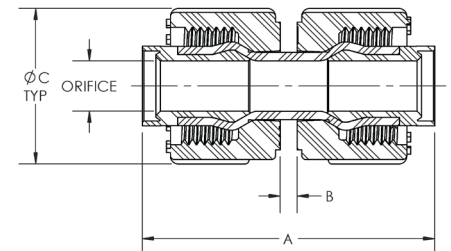
Straight Union Adapter (TightINSERT) (Male x Female)

Part No.	Leg 1 Tube Size	Leg 2 Tube Size	Orifice	A	B	C	Octagon
NX-SU44TN-3	1/4" x 5/32"	1/4"	.15	1.80	1.12	.68	.59
NX-SU66TN-3	3/8" x 1/4"	3/8"	.25	2.18	1.35	.97	.83
NX-SU88TN-3	1/2" x 3/8"	1/2"	.38	2.52	1.50	1.16	1.00
NX-SU1212TN-3	3/4" x 5/8"	3/4"	.63	3.10	1.87	1.56	1.32
NX-SU1616TN-3	1" x 7/8"	1"	.88	3.66	2.22	1.97	1.70

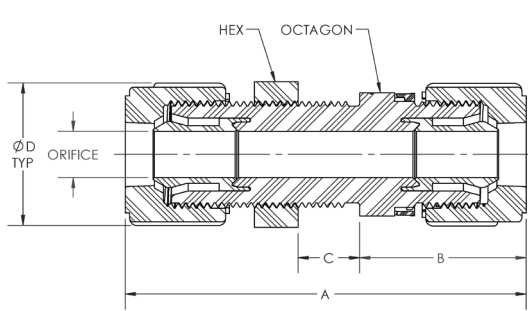


Tube Union (TightINSERT) (Female x Female)

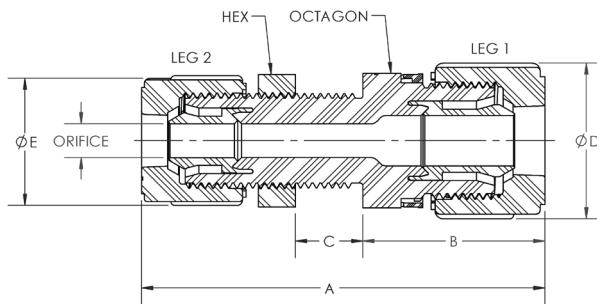
Part No.	Connection Size	Orifice	A	B	C
NXG-TU4N-3-143	1/4"	.15	1.43	.06	.68
NXG-TU6N-3-175	3/8"	.25	1.75	.09	.97
NXG-TU8N-3-217	1/2"	.38	2.17	.12	1.16
NXG-TU12N-3-250	3/4"	.63	2.50	.04	1.56
NXG-TU16N-3-307	1"	.88	3.07	.19	1.97



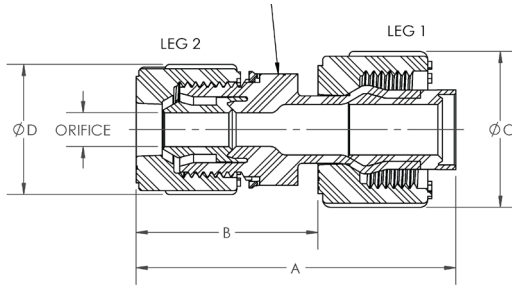
Straight Union Panel Mount (Male x Male)									
Part No.	Tube Size	Orifice	A	B	C (Max)	D	Hex	Octagon	Min Panel Hole Dia
NXG-SPM44N-3	1/4" x 5/32"	.15	2.49	1.03	.50	.68	.63	.59	.49
NXG-SPM66N-3	3/8" x 1/4"	.25	2.84	1.20	.50	.97	.87	.83	.73
NXG-SPM88N-3	1/2" x 3/8"	.38	3.25	1.35	.50	1.16	1.06	1.00	.89
NXG-SPM1212N-3	3/4" x 5/8"	.63	3.76	1.72	.50	1.56	1.50	1.32	1.22
NXG-SPM1616N-3	1" x 7/8"	.88	4.37	2.02	.50	1.97	1.85	1.70	1.61



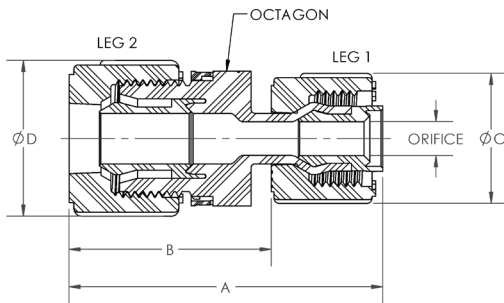
Straight Union Panel Mount Reducer (Male x Male)											
Part No.	Leg 1 Tube Size	Leg 2 Tube Size	Orifice	A	B	C (Max)	D	E	Hex	Octagon	Min Panel Hole Dia
NXG-SPM64N-3	3/8" x 1/4"	1/4" x 5/32"	.15	2.66	1.20	.50	.97	.68	.63	.83	.49
NXG-SPM84N-3	1/2" x 3/8"	1/4" x 5/32"	.15	2.81	1.35	.50	1.16	.68	.63	1.00	.49
NXG-SPM86N-3	1/2" x 3/8"	3/8" x 1/4"	.25	2.99	1.35	.50	1.16	.97	.87	1.00	.73
NXG-SPM126N-3	3/4" x 5/8"	3/8" x 1/4"	.25	3.36	1.72	.50	1.56	.97	.87	1.32	.73
NXG-SPM128N-3	3/4" x 5/8"	1/2" x 3/8"	.38	3.62	1.72	.50	1.56	1.16	1.06	1.32	.89
NXG-SPM1612N-3	1" x 7/8"	3/4" x 5/8"	.63	4.06	2.02	.50	1.97	1.56	1.50	1.70	1.22



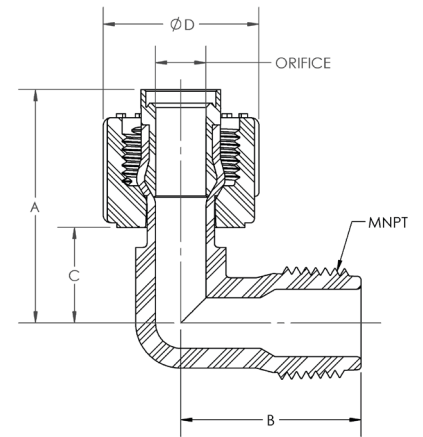
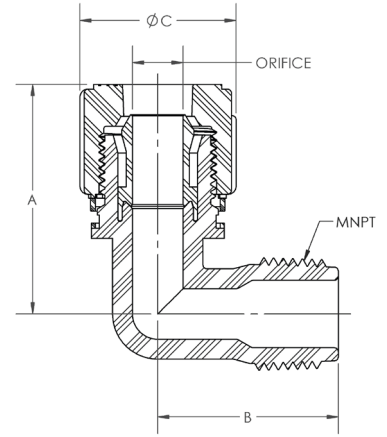
TightINSERT Male Reducer (Female x Male)								
Part No.	Leg 1 Tube Size	Leg 2 Tube Size	Orifice	A	B	C	D	Octagon
NXG-SU46TN-3	3/8"	1/4" x 5/32"	.15	2.01	1.18	.97	.68	.59
NXG-SU48TN-3	1/2"	1/4" x 5/32"	.15	2.20	1.18	1.16	.68	.59
NXG-SU68TN-3	1/2"	3/8" x 1/4"	.25	2.37	1.35	1.16	.97	.83
NXG-SU612TN-3	3/4"	3/8" x 1/4"	.25	2.58	1.35	1.56	.97	.83
NXG-SU812TN-3	3/4"	1/2" x 3/8"	.38	2.73	1.50	1.56	1.16	1.00
NXG-SU816TN-3	1"	1/2" x 3/8"	.38	3.11	1.67	1.97	1.16	1.32
NXG-SU1216TN-3	1"	3/4" x 5/8"	.63	3.36	1.92	1.97	1.56	1.32



TightINSERT Male Increaser (Female x Male)								
Part No.	Leg 1 Connection Size	Leg 2 Tube Size	Orifice	A	B	C	D	Octagon
NXG-SU64TN-3	1/4"	3/8" x 1/4"	.15	1.97	1.29	.68	.97	.83
NXG-SU84TN-3	1/4"	1/2" x 3/8"	.15	2.12	1.44	.68	1.16	1.00
NXG-SU86TN-3	3/8"	1/2" x 3/8"	.25	2.33	1.50	.97	1.16	1.00
NXG-SU128TN-3	1/2"	3/4" x 5/8"	.38	2.89	1.87	1.16	1.56	1.32
NXG-SU1612TN-3	3/4"	1" x 7/8"	.63	3.39	2.16	1.56	1.97	1.70

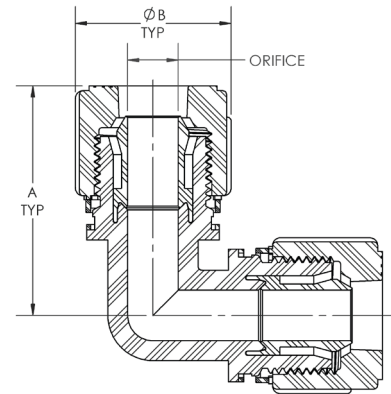


Male Elbow (Male x MNPT)						
Part No.	Tube Size	MNPT Size	Orifice	A	B	C
NXG-ME4-2N-3	1/4" x 5/32"	1/8"	.15	1.17	.83	.68
NXG-ME4-4N-3	1/4" x 5/32"	1/4"	.15	1.17	.98	.68
NXG-ME4-6N-3	1/4" x 5/32"	3/8"	.15	1.17	1.10	.68
NXG-ME4-8N-3	1/4" x 5/32"	1/2"	.15	1.17	1.34	.68
NXG-ME6-4N-3	3/8" x 1/4"	1/4"	.25	1.49	.98	.97
NXG-ME6-6N-3	3/8" x 1/4"	3/8"	.25	1.49	1.10	.97
NXG-ME6-8N-3	3/8" x 1/4"	1/2"	.25	1.49	1.34	.97
NXG-ME8-4N-3	1/2" x 3/8"	1/4"	.25	1.70	1.18	1.16
NXG-ME8-6N-3	1/2" x 3/8"	3/8"	.38	1.70	1.18	1.16
NXG-ME8-8N-3	1/2" x 3/8"	1/2"	.38	1.70	1.34	1.16
NXG-ME8-12N-3	1/2" x 3/8"	3/4"	.38	1.70	1.42	1.16
NXG-ME12-8N-3	3/4" x 5/8"	1/2"	.50	2.14	1.50	1.56
NXG-ME12-12N-3	3/4" x 5/8"	3/4"	.63	2.14	1.58	1.56
NXG-ME12-16N-3	3/4" x 5/8"	1"	.63	2.14	1.58	1.56
NXG-ME16-12N-3	1" x 7/8"	3/4"	.71	2.55	1.77	1.97
NXG-ME16-16N-3	1" x 7/8"	1"	.88	2.55	1.77	1.97

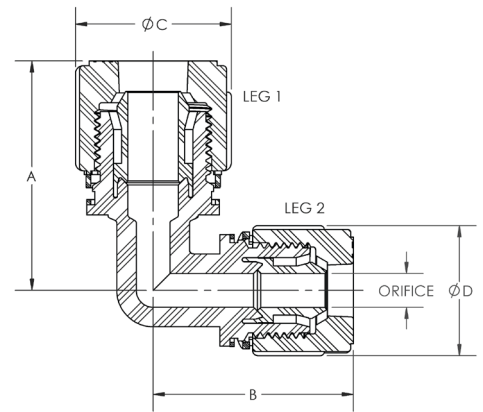


Male Elbow (TightINSERT) (Female x Female)							
Part No.	Connection Size	MNPT Size	Orifice	A	B	C	D
NXG-ME4T-4N-3	1/4"	1/4"	.15	1.14	.98	.46	.68
NXG-ME6T-6N-3	3/8"	3/8"	.25	1.47	1.10	.64	.97
NXG-ME8T-8N-3	1/2"	1/2"	.38	1.73	1.34	.71	1.16
NXG-ME12T-12N-3	3/4"	3/4"	.63	2.10	1.58	.87	1.56
NXG-ME16T-16N-3	1"	1"	.88	2.55	1.77	1.11	1.97

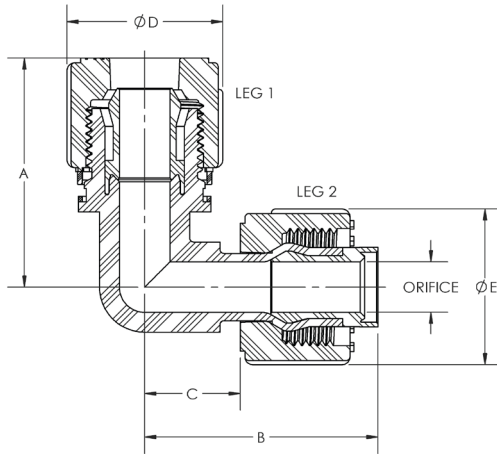
Union Elbow (Male x Male)				
Part No.	Tube Size	Orifice	A	B
NXG-UE44N-3	1/4" x 5/32"	.15	1.17	.68
NXG-UE66N-3	3/8" x 1/4"	.25	1.49	.97
NXG-UE88N-3	1/2" x 3/8"	.38	1.70	1.16
NXG-UE1212N-3	3/4" x 5/8"	.63	2.14	1.56
NXG-UE1616N-3	1" x 7/8"	.88	2.55	1.97



Union Elbow Reducer (Male x Male)							
Part No.	Leg 1 Tube Size	Leg 2 Tube Size	Orifice	A	B	C	D
NXG-UE64N-3	3/8" x 1/4"	1/4" x 5/32"	.15	1.49	1.17	.97	.68
NXG-UE84N-3	1/2" x 3/8"	1/4" x 5/32"	.15	1.70	1.17	1.16	.68
NXG-UE86N-3	1/2" x 3/8"	3/8" x 1/4"	.25	1.70	1.49	1.16	.97
NXG-UE124N-3	3/4" x 5/8"	1/4" x 5/32"	.15	2.14	1.17	1.56	.68
NXG-UE126N-3	3/4" x 5/8"	3/8" x 1/4"	.25	2.14	1.49	1.56	.97
NXG-UE128N-3	3/4" x 5/8"	1/2" x 3/8"	.38	2.14	1.70	1.56	1.16
NXG-UE166N-3	1" x 7/8"	3/8" x 1/4"	.25	2.55	1.49	1.97	.97
NXG-UE168N-3	1" x 7/8"	1/2" x 3/8"	.38	2.55	1.70	1.97	1.16
NXG-UE1612N-3	1" x 7/8"	3/4" x 5/8"	.63	2.55	2.14	1.97	1.56

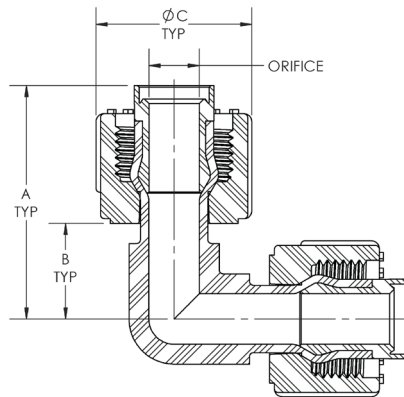


Union Elbow (TightINSERT) (Male x Female)								
Part No.	Leg 1 Tube Size	Leg 2 Tube Size	Orifice	A	B	C	D	E
NXG-UE44TN-3	1/4" x 5/32"	1/4"	.15	1.17	1.14	.46	.68	.68
NXG-UE46TN-3	1/4" x 5/32"	3/8"	.15	1.17	1.47	.64	.68	.97
NXG-UE48TN-3	1/4" x 5/32"	1/2"	.15	1.17	1.73	.71	.68	1.16
NXG-UE64TN-3	3/8" x 1/4"	1/4"	.15	1.49	1.14	.46	.97	.68
NXG-UE66TN-3	3/8" x 1/4"	3/8"	.25	1.49	1.47	.64	.97	.97
NXG-UE68TN-3	3/8" x 1/4"	1/2"	.25	1.49	1.73	.71	.97	1.16
NXG-UE612TN-3	3/8" x 1/4"	3/4"	.25	1.49	2.10	.87	.97	1.56
NXG-UE84TN-3	1/2" x 3/8"	1/4"	.15	1.70	1.14	.46	1.16	.68
NXG-UE86TN-3	1/2" x 3/8"	3/8"	.25	1.70	1.47	.64	1.16	.97
NXG-UE88TN-3	1/2" x 3/8"	1/2"	.38	1.70	1.73	.71	1.16	1.16
NXG-UE812TN-3	1/2" x 3/8"	3/4"	.38	1.70	2.10	.87	1.16	1.56
NXG-UE816TN-3	1/2" x 3/8"	1"	.38	1.70	2.55	1.11	1.16	1.97
NXG-UE128TN-3	3/4" x 5/8"	1/2"	.38	2.14	1.73	.71	1.56	1.16
NXG-UE1212TN-3	3/4" x 5/8"	3/4"	.63	2.14	2.10	.87	1.56	1.56
NXG-UE1216TN-3	3/4" x 5/8"	1"	.63	2.14	2.55	1.11	1.56	1.97
NXG-UE1612TN-3	1" x 7/8"	3/4"	.63	2.55	2.10	.87	1.97	1.56
NXG-UE1616TN-3	1" x 7/8"	1"	.88	2.55	2.55	1.11	1.97	1.97



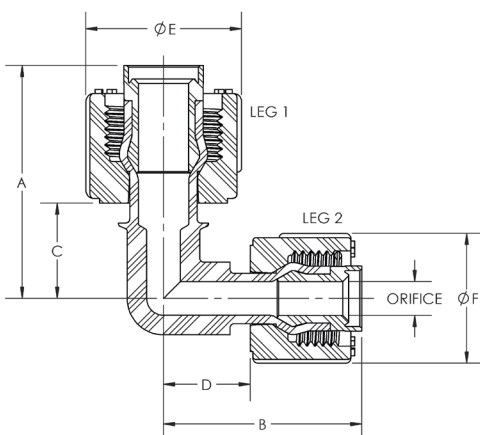
Union Elbow (TightINSERT) All (Female x Female)

Part No.	Connection Size	Orifice	A	B	C
NXG-UE4TN-3	1/4"	.15	1.14	.46	.68
NXG-UE6TN-3	3/8"	.25	1.47	.64	.97
NXG-UE8TN-3	1/2"	.38	1.73	.71	1.16
NXG-UE12TN-3	3/4"	.63	2.10	.87	1.56
NXG-UE16TN-3	1"	.88	2.55	1.11	1.97

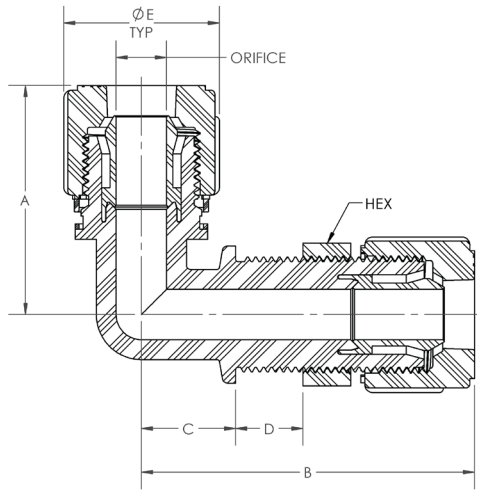


Union Elbow Reducer (TightINSERT) All (Female x Female)

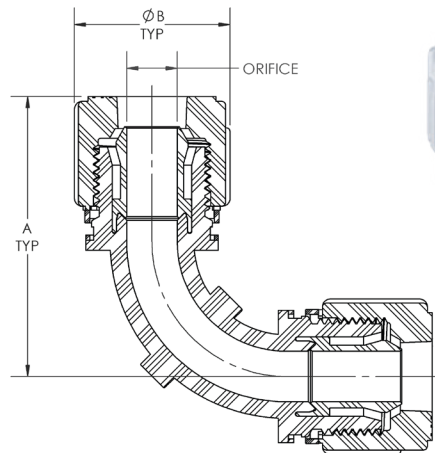
Part No.	Leg 1 Connection Size	Leg 2 Connection Size	Orifice	A	B	C	D	E	F
NXG-UE6T4TN-3	3/8"	1/4"	.15	1.47	1.14	.64	.46	.97	.68
NXG-UE8T6TN-3	1/2"	3/8"	.25	1.73	1.47	.71	.64	1.16	.97
NXG-UE12T8TN-3	3/4"	1/2"	.38	2.10	1.73	.87	.71	1.56	1.16
NXG-UE16T12TN-3	1"	3/4"	.63	2.55	2.10	1.11	.87	1.97	1.56



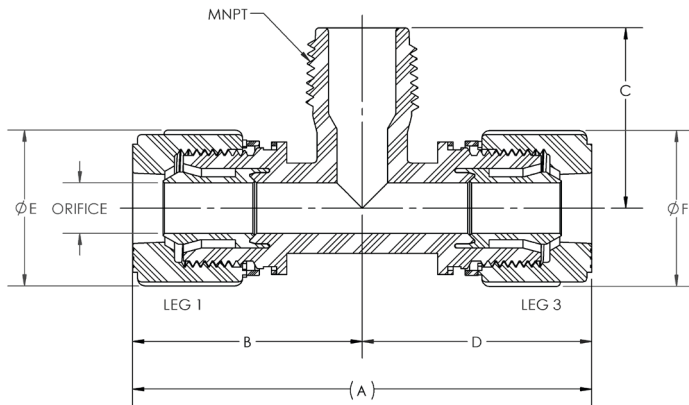
Union Elbow Panel Mount (Male x Male)									
Part No.	Tube Size	Orifice	A	B	C	D (Max)	E	Hex	Min Panel Hole Dia
NXG-EPMX44N-3	1/4" x 5/32"	.15	1.17	1.97	.51	.50	.68	.63	.49
NXG-EPMX66N-3	3/8" x 1/4"	.25	1.49	2.26	.64	.50	.97	.87	.73
NXG-EPMX88N-3	1/2" x 3/8"	.38	1.70	2.48	.70	.50	1.16	1.06	.89
NXG-EPMX1212N-3	3/4" x 5/8"	.63	2.14	2.83	.86	.50	1.56	1.50	1.22
NXG-EPMX1616N-3	1" x 7/8"	.88	2.55	3.15	1.09	.50	1.97	1.85	1.61



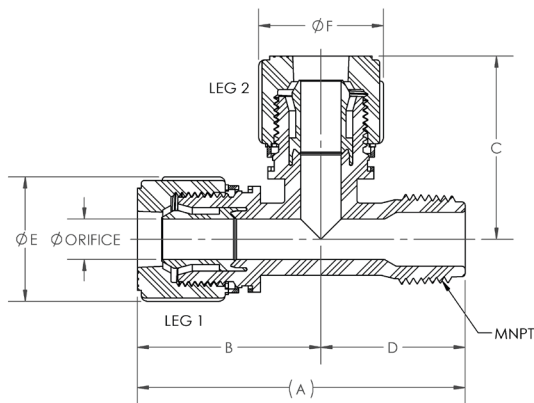
Union Elbow Sweep (Male x Male)				
Part No.	Tube Size	Orifice	A	B
NXG-UES44N-3	1/4" x 5/32"	.15	1.52	.68
NXG-UES66N-3	3/8" x 1/4"	.25	1.81	.97
NXG-UES88N-3	1/2" x 3/8"	.38	2.08	1.16
NXG-UES1212N-3	3/4" x 5/8"	.63	2.50	1.56
NXG-UES1616N-3	1" x 7/8"	.88	2.99	1.97



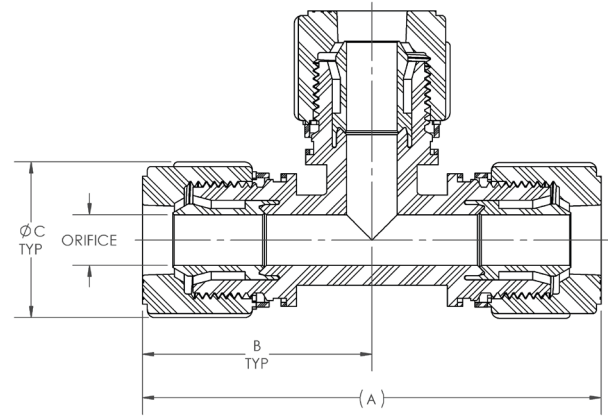
Male Branch Tee (Male x MNPT x Male)										
Part No.	Leg 1 Tube Size	Leg 3 Tube Size	MNPT Size	Orifice	A	B	C	D	E	F
NXG-MBT44-2N-3	1/4" x 5/32"	1/4" x 5/32"	1/8"	.15	2.34	1.17	.83	1.17	.68	.68
NXG-MBT44-4N-3	1/4" x 5/32"	1/4" x 5/32"	1/4"	.15	2.34	1.17	.98	1.17	.68	.68
NXG-MBT44-6N-3	1/4" x 5/32"	1/4" x 5/32"	3/8"	.15	2.34	1.17	1.10	1.17	.68	.68
NXG-MBT44-8N-3	1/4" x 5/32"	1/4" x 5/32"	1/2"	.15	2.34	1.17	1.34	1.17	.68	.68
NXG-MBT66-2N-3	3/8" x 1/4"	3/8" x 1/4"	1/8"	.19	2.97	1.49	.95	1.49	.97	.97
NXG-MBT66-4N-3	3/8" x 1/4"	3/8" x 1/4"	1/4"	.25	2.97	1.49	.98	1.49	.97	.97
NXG-MBT66-6N-3	3/8" x 1/4"	3/8" x 1/4"	3/8"	.25	2.97	1.49	1.10	1.49	.97	.97
NXG-MBT66-8N-3	3/8" x 1/4"	3/8" x 1/4"	1/2"	.25	2.97	1.49	1.34	1.49	.97	.97
NXG-MBT88-4N-3	1/2" x 3/8"	1/2" x 3/8"	1/4"	.25	3.41	1.70	1.18	1.70	1.16	1.16
NXG-MBT88-6N-3	1/2" x 3/8"	1/2" x 3/8"	3/8"	.38	3.41	1.70	1.18	1.70	1.16	1.16
NXG-MBT88-8N-3	1/2" x 3/8"	1/2" x 3/8"	1/2"	.38	3.41	1.70	1.34	1.70	1.16	1.16
NXG-MBT88-12N-3	1/2" x 3/8"	1/2" x 3/8"	3/4"	.38	3.41	1.70	1.42	1.70	1.16	1.16
NXG-MBT1212-8N-3	3/4" x 5/8"	3/4" x 5/8"	1/2"	.50	4.27	2.14	1.50	2.14	1.56	1.56
NXG-MBT1212-12N-3	3/4" x 5/8"	3/4" x 5/8"	3/4"	.63	4.27	2.14	1.58	2.14	1.56	1.56
NXG-MBT1212-16N-3	3/4" x 5/8"	3/4" x 5/8"	1"	.63	4.27	2.14	1.58	2.14	1.56	1.56
NXG-MBT1616-12N-3	1" x 7/8"	1" x 7/8"	3/4"	.71	5.09	2.55	1.77	2.55	1.97	1.97
NXG-MBT1616-16N-3	1" x 7/8"	1" x 7/8"	1"	.88	5.09	2.55	1.77	2.55	1.97	1.97



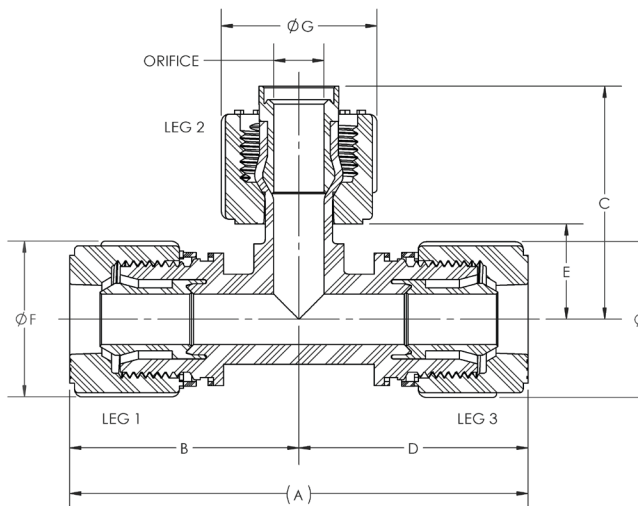
Male Run Tee (Male x Male x MNPT)										
Part No.	Leg 1 Tube Size	Leg 2 Tube Size	MNPT Size	Orifice	A	B	C	D	E	F
NXG-MRT44-2N-3	1/4" x 5/32"	1/4" x 5/32"	1/8"	.15	2.00	1.17	1.17	.83	.68	.68
NXG-MRT44-4N-3	1/4" x 5/32"	1/4" x 5/32"	1/4"	.15	2.16	1.17	1.17	.98	.68	.68
NXG-MRT44-6N-3	1/4" x 5/32"	1/4" x 5/32"	3/8"	.15	2.27	1.17	1.17	1.20	.68	.68
NXG-MRT66-4N-3	3/8" x 1/4"	3/8" x 1/4"	1/4"	.25	2.47	1.49	1.49	.98	.97	.97
NXG-MRT66-6N-3	3/8" x 1/4"	3/8" x 1/4"	3/8"	.25	2.59	1.49	1.49	1.10	.97	.97
NXG-MRT66-8N-3	3/8" x 1/4"	3/8" x 1/4"	1/2"	.25	2.83	1.49	1.49	1.34	.97	.97
NXG-MRT88-6N-3	1/2" x 3/8"	1/2" x 3/8"	3/8"	.38	2.88	1.70	1.70	1.18	1.16	1.16
NXG-MRT88-8N-3	1/2" x 3/8"	1/2" x 3/8"	1/2"	.38	3.04	1.70	1.70	1.34	1.16	1.16
NXG-MRT1212-8N-3	3/4" x 5/8"	3/4" x 5/8"	1/2"	.50	3.63	2.14	2.14	1.50	1.56	1.56
NXG-MRT1212-12N-3	3/4" x 5/8"	3/4" x 5/8"	3/4"	.63	3.71	2.14	2.14	1.58	1.56	1.56
NXG-MRT1616-12N-3	1" x 7/8"	1" x 7/8"	3/4"	.71	4.32	2.55	2.55	1.77	1.97	1.97
NXG-MRT1616-16N-3	1" x 7/8"	1" x 7/8"	1"	.88	4.32	2.55	2.55	1.77	1.97	1.97



Union Tee (Male x Male x Male)					
Part No.	Tube Size	Orifice	A	B	C
NXG-UT4N-3	1/4" x 5/32"	.15	2.34	1.17	.68
NXG-UT6N-3	3/8" x 1/4"	.25	2.97	1.49	.97
NXG-UT8N-3	1/2" x 3/8"	.38	3.41	1.70	1.16
NXG-UT12N-3	3/4" x 5/8"	.63	4.27	2.14	1.56
NXG-UT16N-3	1" x 7/8"	.88	5.09	2.55	1.97

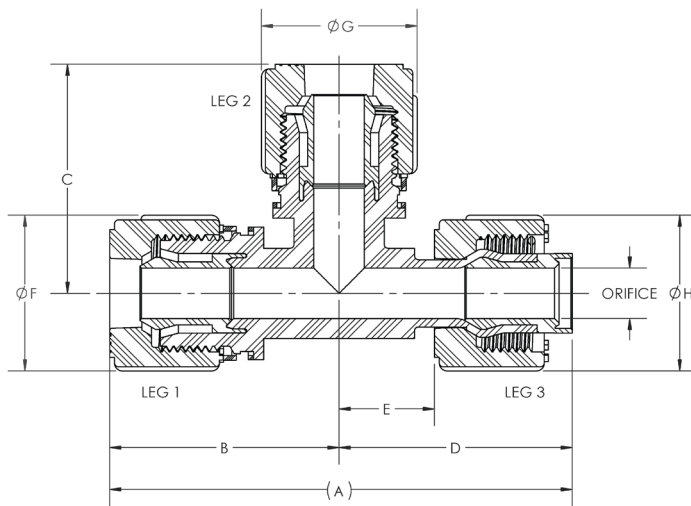


Union Tee (TightINSERT) Branch (Male x Female x Male)												
Part No.	Leg 1 Tube Size	Leg 2 Connection Size	Leg 3 Tube Size	Orifice	A	B	C	D	E	F	G	H
NXG-UT4-4T-4N-3	1/4" x 5/32"	1/4"	1/4" x 5/32"	.15	2.34	1.17	1.14	1.17	.46	.68	.68	.68
NXG-UT6-6T-6N-3	3/8" x 1/4"	3/8"	3/8" x 1/4"	.25	2.97	1.49	1.47	1.49	.64	.97	.97	.97
NXG-UT8-8T-8N-3	1/2" x 3/8"	1/2"	1/2" x 3/8"	.38	3.43	1.70	1.73	1.70	.71	1.16	1.16	1.16
NXG-UT12-12T-12N-3	3/4" x 5/8"	3/4"	3/4" x 5/8"	.63	4.27	2.14	2.10	2.14	.87	1.56	1.56	1.56
NXG-UT16-16T-16N-3	1" x 7/8"	1"	1" x 7/8"	.88	5.09	2.55	2.55	2.55	1.11	1.97	1.97	1.97



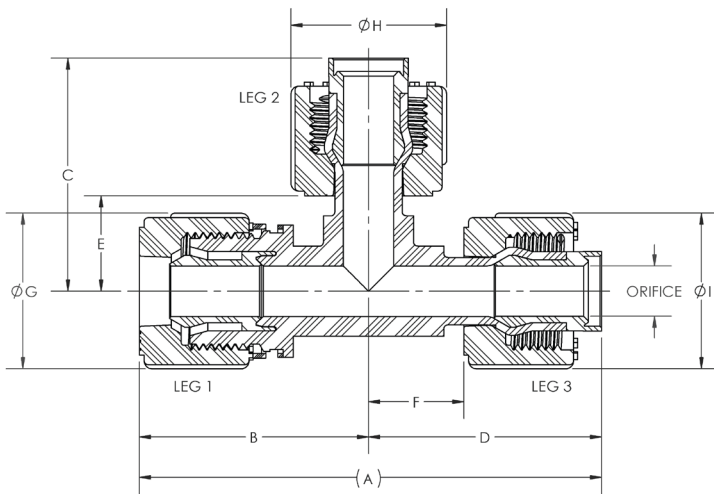
Union Tee (TightINSERT) Run
(Male x Male x Female)

Part No.	Leg 1 Tube Size	Leg 2 Tube Size	Leg 3 Connection Size	Orifice	A	B	C	D	E	F	G	H
NXG-UT4-4-4TN-3	1/4" x 5/32"	1/4" x 5/32"	1/4"	.15	2.31	1.17	1.17	1.14	.46	.68	.68	.68
NXG-UT6-6-6TN-3	3/8" x 1/4"	3/8" x 1/4"	3/8"	.25	2.96	1.49	1.49	1.47	.64	.97	.97	.97
NXG-UT8-8-8TN-3	1/2" x 3/8"	1/2" x 3/8"	1/2"	.38	3.43	1.70	1.70	1.73	.71	1.16	1.16	1.16
NXG-UT12-12-12TN-3	3/4" x 5/8"	3/4" x 5/8"	3/4"	.63	4.23	2.14	2.14	2.10	.87	1.56	1.56	1.56
NXG-UT16-16-16TN-3	1" x 7/8"	1" x 7/8"	1"	.88	5.09	2.55	2.55	2.55	1.11	1.97	1.97	1.97



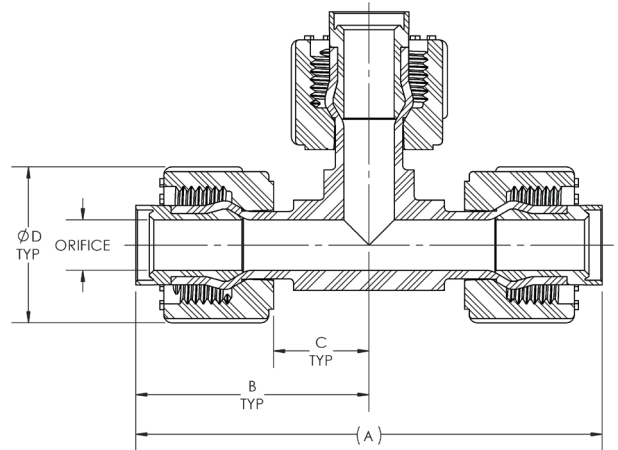
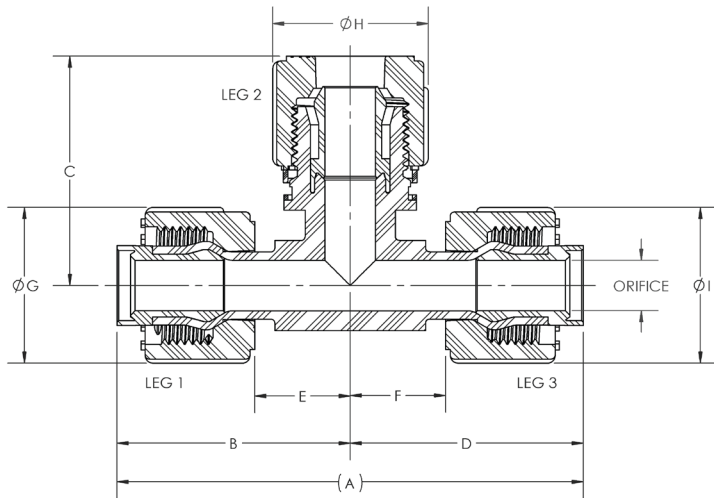
Union Tee (TightINSERT) Branch-Run
(Male x Female x Female)

Part No.	Leg 1 Tube Size	Leg 2 Connection Size	Leg 3 Connection Size	Orifice	A	B	C	D	E	F	G	H	I
NXG-UT4-4T-4TN-3	1/4" x 5/32"	1/4"	1/4"	.15	2.31	1.17	1.14	1.14	.46	.46	.68	.68	.68
NXG-UT6-6T-6TN-3	3/8" x 1/4"	3/8"	3/8"	.25	2.96	1.49	1.47	1.47	.64	.64	.97	.97	.97
NXG-UT8-8T-8TN-3	1/2" x 3/8"	1/2"	1/2"	.38	3.43	1.70	1.73	1.73	.71	.71	1.16	1.16	1.16
NXG-UT12-12T-12TN-3	3/4" x 5/8"	3/4"	3/4"	.63	4.23	2.14	2.10	2.10	.87	.87	1.56	1.56	1.56
NXG-UT16-16T-16TN-3	1" x 7/8"	1"	1"	.88	5.09	2.55	2.55	2.55	1.11	1.11	1.97	1.97	1.97



Union Tee (TightINSERT) Run-Run
(Female x Male x Female)

Part No.	Leg 1 Connection Size	Leg 2 Tube Size	Leg 3 Connection Size	Orifice	A	B	C	D	E	F	G	H	I
NXG-UT4T-4-4TN-3	1/4"	1/4" x 5/32"	1/4"	.15	2.29	1.14	1.17	1.14	.46	.46	.68	.68	.68
NXG-UT6T-6-6TN-3	3/8"	3/8" x 1/4"	3/8"	.25	2.95	1.47	1.49	1.47	.64	.64	.97	.97	.97
NXG-UT8T-8-8TN-3	1/2"	1/2" x 3/8"	1/2"	.38	5.46	1.73	1.70	1.73	.71	.71	1.16	1.16	1.16
NXG-UT12T-12-12TN-3	3/4"	3/4" x 5/8"	3/4"	.63	4.19	2.10	2.14	2.10	.87	.87	1.56	1.56	1.56
NXG-UT16T-16-16TN-3	1"	1" x 7/8"	1"	.88	5.09	2.55	2.55	2.55	1.11	1.11	1.97	1.97	1.97

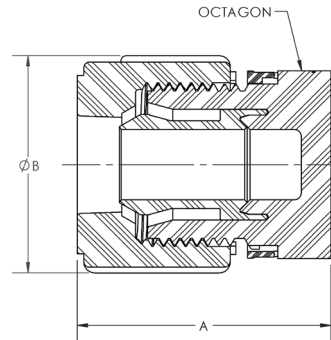


Union Tee (TightINSERT) All
(Female x Female x Female)

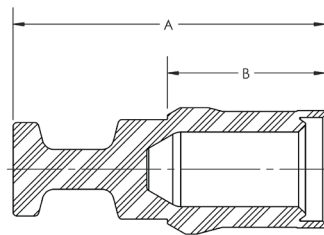
Part No.	Connection Size	Orifice	A	B	C	D
NXG-UT4TN-3	1/4"	.15	2.28	1.14	.46	.68
NXG-UT6TN-3	3/8"	.25	2.95	1.47	.64	.97
NXG-UT8TN-3	1/2"	.38	3.46	1.73	.71	1.16
NXG-UT12TN-3	3/4"	.63	4.19	2.10	.87	1.56
NXG-UT16TN-3	1"	.88	5.09	2.55	1.11	1.97



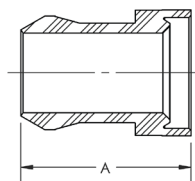
Cap				
Part No.	Tube Size	A	B	Octagon
NXG-CAP4N-3	1/4" x 5/32"	1.03	.68	.59
NXG-CAP6N-3	3/8" x 1/4"	1.20	.97	.83
NXG-CAP8N-3	1/2" x 3/8"	1.35	1.16	1.00
NXG-CAP12N-3	3/4" x 5/8"	1.72	1.56	1.32
NXG-CAP16N-3	1" x 7/8"	2.02	1.97	1.70



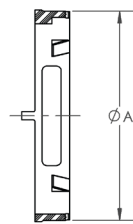
Cap Sleeve			
Part No.	Connection Size	A	B
NXG-CS4	1/4"	1.14	.48
NXG-CS6	3/8"	1.38	.62
NXG-CS8	1/2"	1.58	.80
NXG-CS12	3/4"	1.81	.98
NXG-CS16	1"	2.08	1.23



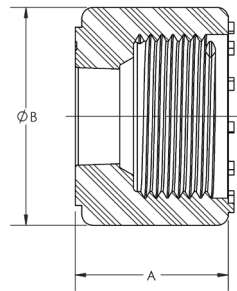
Sleeve		
Part No.	Tube Size	A
NXG-S4-3	1/4" x 5/32"	.49
NXG-S6-3	3/8" x 1/4"	.63
NXG-S8-3	1/2" x 3/8"	.80
NXG-S12-3	3/4" x 5/8"	.95
NXG-S16-3	1" x 7/8"	1.22



Gauge Ring		
Part No.	Connection Size	A
NXG-GR4	1/4"	.59
NXG-GR6	3/8"	.83
NXG-GR8	1/2"	.98
NXG-GR12	3/4"	1.32
NXG-GR16	1"	1.72



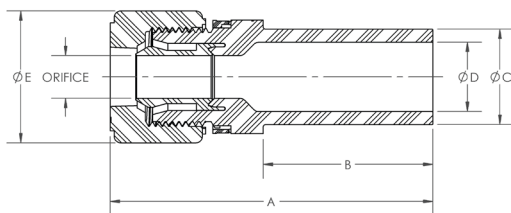
Insert Nut			
Part No.	Connection Size	A	B
NXG-N4-3	1/4"	.61	.68
NXG-N6-3	3/8"	.75	.97
NXG-N8-3	1/2"	.82	1.16
NXG-N12-3	3/4"	.99	1.56
NXG-N16-3	1"	1.09	1.97



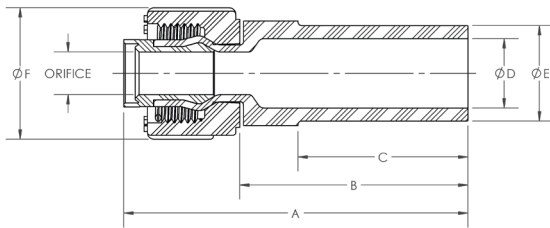
Panel Mount Nut		
Part No.	A	HEX
NXG-PMN4-3	.20	.63
NXG-PMN6-3	.28	.87
NXG-PMN8-3	.35	1.06
NXG-PMN12-3	.35	1.50
NXG-PMN16-3	.39	1.85



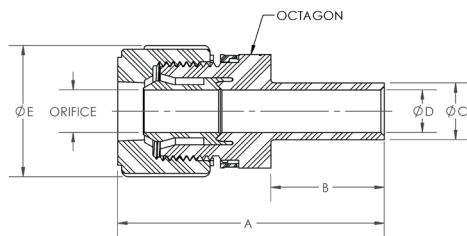
Weld Straight Connector (Pipe x Male)									
Part No.	Pipe Size	Tube Size	Orifice	A	B	C	D	E	Octagon
NXG-WSC4P-4N-3	1/4"	1/4" x 5/32"	.15	1.58	.55	.54	.35	.68	.59
NXG-WSC4P-6N-3	1/4"	3/8" x 1/4"	.25	1.75	.55	.54	.35	.97	.83
NXG-WSC4P-8N-3	1/4"	1/2" x 3/8"	.35	1.90	.55	.54	.35	1.16	1.00
NXG-WSC8P-8N-3	1/2"	1/2" x 3/8"	.38	2.85	1.50	.84	.61	1.16	1.00
NXG-WSC8P-12N-3	1/2"	3/4" x 5/8"	.61	3.22	1.50	.84	.61	1.56	1.32
NXG-WSC12P-4N-3	3/4"	1/4" x 5/32"	.15	2.65	1.50	1.05	.81	.68	1.32
NXG-WSC12P-6N-3	3/4"	3/8" x 1/4"	.25	2.82	1.50	1.05	.81	.97	1.32
NXG-WSC12P-8N-3	3/4"	1/2" x 3/8"	.38	2.97	1.50	1.05	.81	1.16	1.32
NXG-WSC12P-12N-3	3/4"	3/4" x 5/8"	.63	3.22	1.50	1.05	.81	1.56	1.32
NXG-WSC12P-16N-3	3/4"	1" x 7/8"	.81	3.52	1.50	1.05	.81	1.97	1.70
NXG-WSC16P-8N-3	1"	1/2" x 3/8"	.38	2.97	1.50	1.32	1.05	1.16	1.70
NXG-WSC16P-12N-3	1"	3/4" x 5/8"	.63	3.22	1.50	1.32	1.05	1.56	1.70
NXG-WSC16P-16N-3	1"	1" x 7/8"	.88	3.52	1.50	1.32	1.05	1.97	1.70



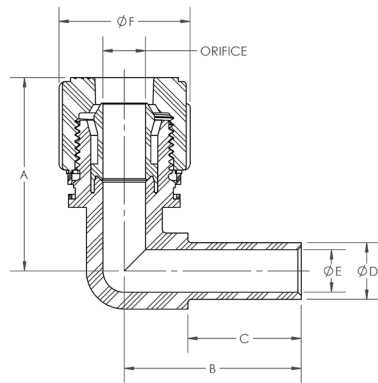
Weld Straight Connector (TightINSERT) (Pipe x Female)									
Part No.	Pipe Size	Connection Size	Orifice	A	B	C	D	E	F
NXG-WSC4P-4TN-3	1/4"	1/4"	.15	1.72	1.04	.55	.54	.35	.68
NXG-WSC4P-6TN-3	1/4"	3/8"	.25	1.86	1.03	.55	.54	.35	.97
NXG-WSC8P-6TN-3	1/2"	3/8"	.25	3.00	2.17	1.50	.84	.61	.97
NXG-WSC8P-8TN-3	1/2"	1/2"	.38	3.31	2.29	1.50	.84	.61	1.16
NXG-WSC12P-8TN-3	3/4"	1/2"	.38	3.31	2.29	1.50	1.05	.81	1.16
NXG-WSC12P-12TN-3	3/4"	3/4"	.63	3.35	2.12	1.50	1.05	.81	1.56
NXG-WSC16P-12TN-3	1"	3/4"	.63	3.35	2.12	1.50	1.32	1.03	1.56
NXG-WSC16P-16TN-3	1"	1"	.88	3.58	2.14	1.50	1.32	1.03	1.97



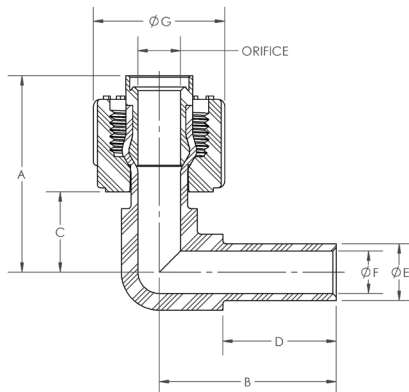
Weld Straight Connector (Tube Straight x Male)									
Part No.	Tube Straight Size	Tube Size	Orifice	A	B	C	D	E	Octagon
NXG-WSC4TS-4N-3	1/4"	1/4" x 5/32"	.15	1.73	.70	.25	.15	.68	.59
NXG-WSC6TS-6N-3	3/8"	3/8" x 1/4"	.25	2.05	.85	.38	.25	.97	.83
NXG-WSC8TS-8N-3	1/2"	1/2" x 3/8"	.38	2.35	1.00	.50	.38	1.16	1.00
NXG-WSC12TS-12N-3	3/4"	3/4" x 5/8"	.63	2.90	1.18	.75	.63	1.56	1.32
NXG-WSC16TS-8N-3	1"	1/2" x 3/8"	.38	2.87	1.40	1.00	.88	1.16	1.32
NXG-WSC16TS-12N-3	1"	3/4" x 5/8"	.63	3.12	1.40	1.00	.88	1.56	1.32
NXG-WSC16TS-16N-3	1"	1" x 7/8"	.88	3.42	1.40	1.00	.88	1.97	1.70



Weld Elbow Connector (Tube Straight x Male)									
Part No.	Tube Straight Size	Tube Size	Orifice	A	B	C	D	E	F
NXG-WEC4TS-4N-3	1/4"	1/4" x 5/32"	.15	1.17	1.07	.70	.25	.15	.68
NXG-WEC6TS-6N-3	3/8"	3/8" x 1/4"	.25	1.49	1.35	.85	.38	.25	.97
NXG-WEC8TS-8N-3	1/2"	1/2" x 3/8"	.38	1.70	1.56	1.00	.50	.38	1.16
NXG-WEC12TS-12N-3	3/4"	3/4" x 5/8"	.63	2.14	1.90	1.18	.75	.63	1.56
NXG-WEC16TS-16N-3	1"	1" x 7/8"	.88	2.55	2.31	1.40	1.00	.88	1.97

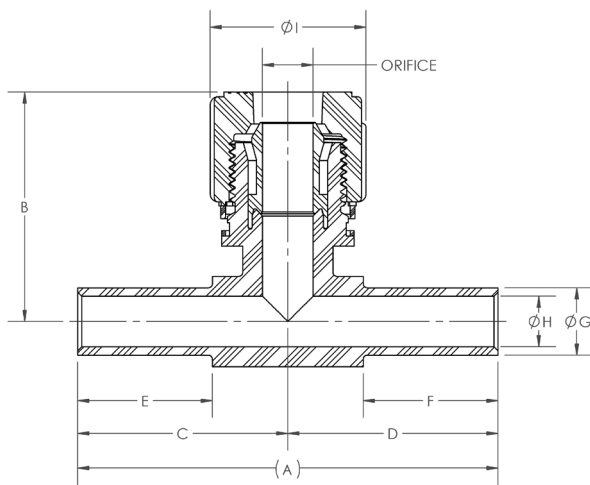


Weld Elbow Connector (TightINSERT) (Tube Straight x Female)										
Part No.	Tube Straight Size	Connection Size	Orifice	A	B	C	D	E	F	G
NXG-WEC4TS-4TN-3	1/4"	1/4"	.15	1.14	1.07	.46	.70	.25	.15	.68
NXG-WEC6TS-6TN-3	3/8"	3/8"	.25	1.47	1.35	.64	.85	.38	.25	.97
NXG-WEC8TS-8TN-3	1/2"	1/2"	.38	1.73	1.56	.71	1.00	.50	.38	1.16
NXG-WEC12TS-12TN-3	3/4"	3/4"	.63	2.10	1.90	.87	1.18	.75	.63	1.56
NXG-WEC16TS-16TN-3	1"	1"	.88	2.55	2.31	1.11	1.40	1.00	.88	1.97



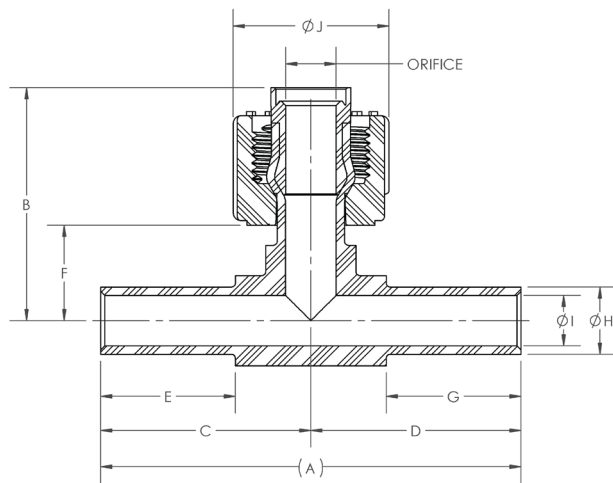
Weld Tee Connector
(Tube Straight x Male x Tube Straight)

Part No.	Leg 1 Tube Straight Size	Leg 2 Tube Size	Leg 3 Tube Straight Size	Orifice	A	B	C	D	E	F	G	H	I
NXG-WTC4TS-4-4TSN-3	1/4"	1/4" x 5/32"	1/4"	.15	2.14	1.17	1.07	1.07	.70	.70	.25	.15	.68
NXG-WTC6TS-6-6TSN-3	3/8"	3/8" x 1/4"	3/8"	.25	2.69	1.49	1.35	1.35	.85	.85	.38	.25	.97
NXG-WTC8TS-8-8TSN-3	1/2"	1/2" x 3/8"	1/2"	.38	3.12	1.70	1.56	1.56	1.00	1.00	.50	.38	1.16
NXG-WTC12TS-12-12TSN-3	3/4"	3/4" x 5/8"	3/4"	.63	3.80	2.14	1.90	1.90	1.18	1.18	.75	.63	1.56
NXG-WTC16TS-16-16TSN-3	1"	1" x 7/8"	1"	.88	4.61	2.55	2.31	2.31	1.40	1.40	1.00	.88	1.97



Weld Tee Connector (TightINSERT)
(Tube Straight x Female x Tube Straight)

Part No.	Leg 1 Tube Straight Size	Leg 2 Connection Size	Leg 3 Tube Straight Size	Orifice	A	B	C	D	E	F	G	H	I	J
NXG-WTC4TS-4T-4TSN-3	1/4"	1/4"	1/4"	.15	2.14	1.14	1.07	1.07	.70	.46	.70	.25	.15	.68
NXG-WTC6TS-6T-6TSN-3	3/8"	3/8"	3/8"	.25	2.69	1.47	1.35	1.35	.85	.64	.85	.38	.25	.97
NXG-WTC8TS-8T-8TSN-3	1/2"	1/2"	1/2"	.38	3.12	1.73	1.56	1.56	1.00	.71	1.00	.50	.38	1.16
NXG-WTC12TS-12T-12TSN-3	3/4"	3/4"	3/4"	.63	3.80	2.14	1.90	1.90	1.18	.87	1.18	.75	.63	1.56
NXG-WTC16TS-16T-16TSN-3	1"	1"	1"	.88	4.61	2.55	2.31	2.31	1.40	1.11	1.40	1.00	.88	1.97



NexusConnect® TUBE ASSEMBLY SYSTEM

ONSITE PRECISION WHEN— AND WHERE—IT COUNTS

We saw the need for an on-site production flaring system that can produce precise, leak-free, repeatable tube flares. The solution? Our patented TruFLARE™ tube flaring system. TruFLARE™ and our Mobile TruFLARE™ system replicate the close tolerances consistent with our patented and proven TightFLARE™ technology. To date, application and installation usage has shown TruFLARE™ tube flaring technology to be far superior than all other existing flaring methods in the industry.



KEY FEATURES

- Hot insertion method produces a shrink seal of tubing onto the insert for a reliable, leak-free connection.
- Achieves accurate and repeatable results in a quick timeframe to minimize downtime.
- Rugged construction to meet the demands of application.
- Available in 110V and 220V versions (220V carries CE certification).
- Includes mandrels for 1/4", 3/8", 1/2", 3/4" and 1" tubing sizes.

NexusConnect® Tube Assembly System Patented	
Input Voltage	Part No.
110V	MTF416-110-NX
220V	MTF416-220-NX



NexusConnect® TORQUE WRENCH SYSTEM

Fastens PFA Nexus Connect® insert nuts to the required torque value which ensures leak-free fitting assemblies.

KEY FEATURES

- Wrenches are calibrated to preset torque values based on nut size.
- Wrench claw clicks over when required torque value is reached.
- Ratcheting action allows the nut to be rapidly tightened, making jobs easier and faster.
- Wrenches fit in the palm of a hand easily allowing use in hard to reach places.
- Claw material: stainless steel.
- Handle material: green anodized aluminum.

NexusConnect® Torque Wrenches Patented	
Nut Size	Part No.
1/4"	NXw4-3
3/8"	NXw6-3
1/2"	NXw8-3
3/4"	NXw12-3
1"	NXw16-3
Complete Set (All sizes listed above)	NXws-3



RATCHETING ACTION

Rapidly tighten nuts to make assemblies easier and faster.

CLICK OVER FEATURE

The claw clicks over when wrench reaches required torque value.



NexusConnect® OPERATING INSTRUCTIONS

STEP 1

- Make sure claw is in start position, as shown below in picture A.
- Align teeth on claw with splines on nut, as shown here in step 1.
- Grip handle firmly and rotate clockwise to tighten nut.



STEP 2

- Rotate handle in a counter clockwise direction, as shown here in step 2.
- Grip next set of splines with claw and rotate clockwise.
- Continue steps 1 and 2 until claw clicks over, as shown in step 3 and picture B.



STEP 3

- Snap claw back to its start position, as shown in picture A.
- Tighten nut one more time until claw clicks over.

Note: Nut must be tightened twice with wrench.



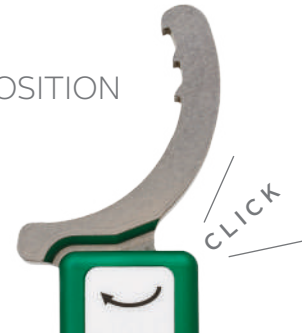
PICTURE A

START POSITION



PICTURE B

FINISH, CLICK OVER, POSITION





U.S. DESIGNED & MANUFACTURED SOLUTIONS FOR FLUID PROCESSING APPLICATIONS



At Fit-Line Global, we engineer and supply the industry's most popular fitting configurations. That means when you need a fitting, it's available and ready to ship, allowing you to stay up and running and avoid costly delays.

From standard fittings and patented tube flaring systems, to customized designs that are developed, fabricated and tested in our state-of-the-art facility, Fit-Line Global has the expertise and the know-how to ensure you get the most reliable, dependable components delivered on time, all the time. At our core, we're a company of problem solvers.

Our employees are comprised of some of the best U.S. mechanical engineers, fabricators, senior toolmakers and process technicians with the curiosity, talent, insights and ideas to create the most advanced, dependable and leak-free solutions for all of your fluid processing needs.



FULL PRODUCT AND PACKAGING TRACEABILITY. ZERO COMPROMISES.

Having our materials, manufacturing and packaging in a fully traceable, closed-source system ensures the highest level of protection, component quality and contamination control.

That's why Fit-Line Global employs our own proprietary cleaning and packaging processes—including our five stage component cleaning and rinsing procedure—all conducted in our very own Class 1000 Clean Room.

And when it comes to packaging, all of our fittings are double polyethylene bagged per SEMI-F57 standards. This will meet and exceed your exacting demands. Anything else simply won't do.



DEDICATED TO YOU

Being an ISO 9001:2015 certified company means that we consistently provide products and services that meet customer and regulatory requirements and demonstrate continuous improvement. The certification acts as an assurance that our products are being manufactured in a facility that meets the requirements of ISO a well-known quality management system standard, and is reviewed yearly by an independent auditor.

WARRANTY

Fit-Line Global warrants to the BUYER that any product sold will be free from defects in material or workmanship for a period of twelve (12) months from the date of shipment. If during the warranty period, the BUYER notifies Fit-Line Global of a defect, Fit-Line Global shall, at its option, repair or replace the defective material or workmanship. OTHER THAN AS EXPRESSLY STATED HEREIN, FIT-LINE GLOBAL MAKES NO OTHER WARRANTIES, EXPRESS OR IMPLIED, REGARDING THE PRODUCTS AND/OR SERVICES PROVIDED HEREUNDER, AND EXPRESSLY DISCLAIMS THE IMPLIED WARRANTIES OF NON-INFRINGEMENT, MERCHANTABILITY AND FITNESS FOR A PARTICULAR PURPOSE. The BUYER shall bear the cost of freight to and from Fit-Line Global's plant. BUYER agrees to accept the limits of liability as expressed in this statement to the exclusion of any and all provisions regarding statements of liability on the BUYER's own invoices, purchase orders and/or other documents.

GOODS

All descriptions and illustrations contained in Fit-Line Global's catalog, brochures, price lists, website, advertisements and all specifications, drawings and any other documents contained therein submitted with any QUOTATION to BUYER or otherwise communicated to BUYER are intended merely to present a general idea of GOODS and SERVICES (GOODS) described therein and nothing contained in any of them shall form any part of the contract.



2901 Tech Center Drive, Santa Ana, CA 92705

Phone: (714) 549-9091

Email: info@Fit-LineGlobal.com

Web: Fit-LineGlobal.com

JYEU

捷羽企業有限公司

| 誠信 | 負責 | 創新 | 效率 |



關於捷羽

About Us

捷羽企業有限公司創立於西元1994年，始終致力於提供優質半導體材料零件及服務。營業項目涵蓋各類接頭、管件、閥件、空壓產品、真空產品以及客製化產品等。另設有加工廠區研發製造高品質鐵氟龍波紋管、鐵氟龍伸縮螺旋管、各種特殊製品，以及專業鐵氟龍塗裝內襯服務。捷羽企業貫徹誠信、負責、創新、效率之經營理念，定期通過ISO國際認證稽核審查，並取得ISO9001:2015國際品質管理系統改版認證，捷羽期許以不斷的自我成長與創新來迎接市場新產品及素材的挑戰。

JYE YEU ENTERPRISE CO., LTD. was established in the Republic of China in 1994, coincides with the semiconductor industry to flourish. Over thirty years, we provide high quality products and best service for our customer. Our business area includes different kinds of connectors, tubes, valves, pneumatic hydraulic products, vacuum products and customized products. Honesty, Responsibility, Innovation, Efficiency are our management concept, and we always rise to the challenges with our continuous improvement and efforts.

營業項目

Business Items

各類接頭 | 橡塑膠管件 | 鐵氟龍產品 | 真空產品 | 各類橡膠 | 空壓產品
各類風管 | 客製化加工服務

Connector products / Tube products / Teflon products / Vacuum products
Rubber products / Pneumatic products / Ventilation Hose products
Customized products

專業加工製造

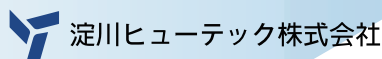
Processing Service

數控CNC車床 | 數控雕刻機 | 高壓水刀切割 | PFA波紋管
PFA伸縮螺旋管 | 鐵氟龍塗裝及貼附 | 各式客製化服務與產品

Computer Numeric Control / Carving Machine / Water Jet Cutter
PFA Waved Tube / PFA Flexible Spiral Tube
Teflon Coating and Lined / Customized Service

代理 & 經銷品牌

Agent & Distribute



KITZ MICRO FILTER CORPORATION

台灣代理經銷 捷羽企業有限公司

新竹市東區公園路216巷9號

T. 03-5625050 / F. 03-5629290

JYE YEU ENTERPRISE CO.,LTD

No.9, Ln.216, Gong Yuan Rd.,East Dist.,

Hsinchu City.,Taiwan

Head Office (+886) 3-562-5050

service@jyeu.com.tw

· WEBSITE ·

· LINE ·



商品型錄及相關資訊歡迎至官網查閱
Welcome to visit our website !