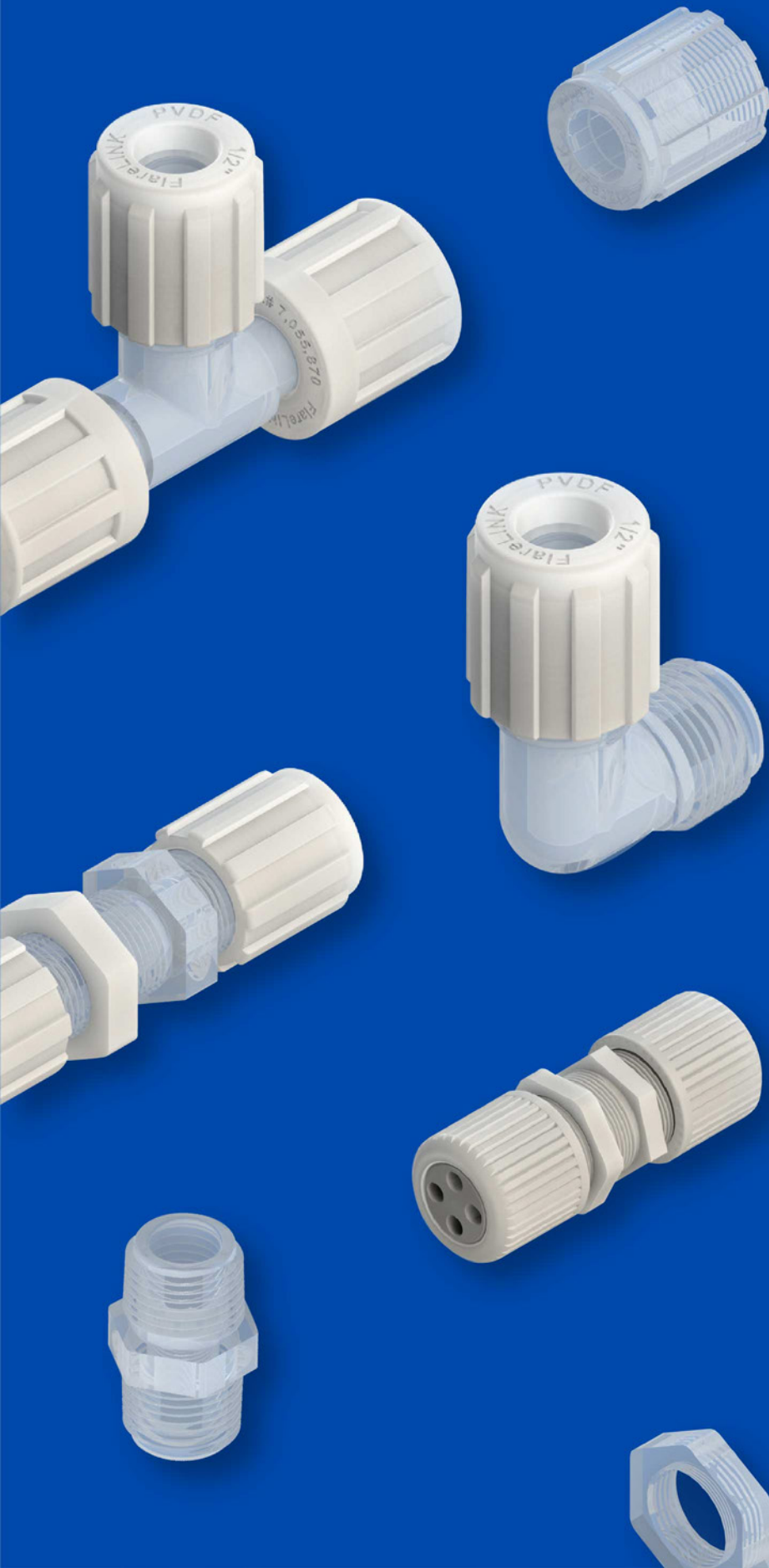


JYEU

捷羽企業有限公司



擴口接頭

**PFA & PVDF
FLARED
FITTING**





公司簡介 About us

捷羽企業有限公司創立於西元1995年, 始終致力於提供優質半導體材料零件及服務。營業項目涵蓋各類橡塑膠接頭、管件、閥件、空壓產品、真空產品以及客製化產品等, 並代理經銷Yodogawa、Parker、Fit-Line Global、Penn Nitto、Nitta等品牌。另設有加工廠區研發製造高品質鐵氟龍波紋管、鐵氟龍伸縮螺旋管、各種特殊客製品, 以及專業鐵氟龍塗裝內襯服務。本公司貫徹誠信、負責、創新、效率之經營理念, 定期通過ISO國際認證稽核審查, 並取得ISO9001:2015國際品質管理系統改版認證, 捷羽期許以不斷的自我成長與創新來迎接市場新產品及素材的挑戰。

JYE YEU ENTERPRISE CO., LTD. was established in the Republic of China in 1995, coincides with the semiconductor industry to flourish. Over twenty years, we provide high quality products and best service for our customers. Our business area includes different kinds of fittings, tubes, valves, air hydraulic products, vacuum products and customized products. And we also established our own Industrial processing factory for PFA spiral tube, customized products, Teflon Coating and Lined. Honesty, Responsibility, Innovation, Efficiency are our management concept, and we always rise to the challenges with our continuous improvement and efforts.

營業項目 Business items

- 各類接頭/ SUS啖入式接頭、公母端快速接頭、PUSH-IN快速接頭、PP接頭、銅製接頭等。
- 鐵氟龍產品/ 鐵氟龍擴口接頭、PFA軟管、PFA波紋管、PFA伸縮螺旋管、板材、棒材等。
- 真空產品/ VCR接頭、墊片、管束、法蘭、盲板、真空閥件、真空管件等。
- 各類橡膠/ 橡膠墊圈、防震墊、橡膠板、避震器、橡膠管件、橡膠海綿條、橡膠法蘭片等。
- 空壓產品/ 電磁閥、流量計、差壓計、調速閥、洩壓閥、逆止閥、調壓過濾器、鋁座、壓力錶等。
- 各類風管及橡塑膠管件
- 加工產品/ PFA波紋管及伸縮螺旋管、特殊客製化產品、鐵氟龍塗裝與內襯。
- 現場服務/ 液壓管製作、鐵氟龍管擴口服務。

Teflon Tube | PFA Waved Tube | PFA Flexible Spiral Tube

Various of Fittings | Rubber Products | Air Hydraulic Products | Vacuum Products

Teflon Surface Coating | Teflon Lined | Processing Products | Customized Service

代理經銷品牌 Agent and distribute



自有品牌產品 Self-owned brand

- PFA 波紋管 ■PFA 伸縮螺旋管 ■PTFE 直管 ■PTFE 波紋管
- PTFE 伸縮螺旋管 ■FEP 直管 ■各式客製化接頭

PFA Waved Tube / PFA Flexible Spiral Tube / PTFE Tube

PTFE Waved Tube / PTFE Flexible Spiral Tube / FEP Tube / Customized products

產品總覽



直接頭

- 1 直外牙擴口接頭
Male Connector
- 2 直外牙已擴口接頭
Male Connector(TightFLARE™)
- 3 擴口牙隔板接頭
Male Connector Panel Mount

直外牙擴口接頭JIS
Male Connector JIS
- 4 直內牙擴口接頭
Female Connector

直由任擴口接頭
Female Connector
- 5 異徑直由任擴口接頭
Straight Union Reducer

直由任擴口接頭
Straight Union(TightFLARE™)
- 6 異徑隔板擴口接頭
Straight Union Panel Mount

隔板擴口直接頭
Straight Union Panel Mount Reducer
- 7 直由任擴口接頭
Union(TightFLARE™)

異徑內牙口接頭
Female Reducer(TightFLARE™)
- 8 異徑單邊已擴擴口接頭
Male Reducer(TightFLARE™)

Male Increaser(TightFLARE™)
- 9 異徑內外牙擴口接頭
Female Male Connector Reducer

異徑直由任擴口接頭
Reduced Orifice Fittings(Straight Union)

Reduced Orifice Fittings(Male Connector)

- 10 擴口管塞
Pipe Plug(Tube x Tube)

六角雙外牙接頭擴口接頭
Pipe Nipple(Tube x Tube)

- 11 Male Connector by Sanitary End



彎接頭

- 11 Union Elbow by Sanitary End
- 12 彎外牙擴口接頭
Male Elbow
- 13 彎外牙擴口接頭
Male Elbow(TightFLARE™)

彎外牙擴口接頭JIS
Male Elbow JIS
- 14 彎內牙擴口接頭
Female Elbow

彎由任擴口接頭
Union Elbow
- 15 異徑彎由任擴口接頭
Union Elbow Reducer

彎隔板擴口接頭
Union Elbow Panel Mount
- 16 異徑彎頭單邊已擴擴口接頭
Union Elbow(TightFLARE™)

彎雙已擴擴口接頭
Union Elbow(TightFLARE™)
- 17 異徑彎由雙已擴任擴口接頭
Union Elbow Reducer(TightFLARE™)

Union Elbow Sweep

- 18 Union Elbow Sweep(TightFLARE™)

Union Elbow Sweep(TightFLARE™)

- 19 彎由任外牙擴口接頭
Male Elbow Sweep

Male Elbow Sweep(TightFLARE™)



三通

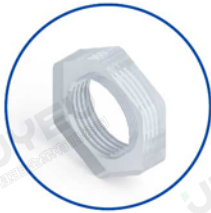
- 20 三通由任擴口接頭
Union Tee

三通中心外牙擴口接頭
Male Branch Tee(TightFLARE™)
- 21 異徑三通由任擴口接頭
Union Tee Reducer
- 22 三通中間已擴擴口接頭
Union Tee Branch(TightFLARE™)
- 23 三通單邊已擴擴口接頭
Union Tee Run(TightFLARE™)
- 24 三通雙邊已擴擴口接頭
Union Tee Branch,Run (TightFLARE™)
- 25 三通雙邊XZ已擴擴口接頭
Union Tee Run,Run(TightFLARE™)
- 26 三邊已擴擴口接頭
Union Tee (TightFLARE™) ALL
- 27 三通邊外牙擴口接頭
Male Run Tee
- 28 三通中心外牙擴口接頭
Male Branch Tee
- 29 三通邊內牙擴口接頭
Female Run Tee

三通中心內牙擴口接頭
Female Branch Tee



產品總覽



替換零件

- 30** 擴口內牙管塞與螺帽
Flare Plug and Nut

擴口管帽
Flare Cap

- 31** 擴口螺帽
Flare Nut

PVDF擴口螺帽
Flare Nut PVDF

PFA螺母
Panel Mount Nut (Half Nut) PFA

PVDF螺母
Panel Mount Nut (Half Nut) PVDF



焊接接頭

- 32** 焊接直擴口接頭
Weld Straight Connector

焊接直擴口接頭
Weld Straight Connector(TightFLARE™)

- 33** 焊接彎頭擴口接頭
Weld Elbow Connector

焊接彎頭擴口接頭
Weld Elbow Connector(TightFLARE™)

- 34** 焊接異徑直接頭
Weld Straight Reducer

- 34** 焊接管帽
Weld Pipe Cap

焊接彎由任接頭
Weld Union Elbow(Pipe x Pipe)

焊接三通由任接頭
Weld Union Tee(Pipe x Pipe)

- 35** Weld Male Adapter(Pipe x NPT)

Weld Female Adapter

- 36** 焊接異徑直擴口接頭
Weld Straight Reducer(Tube x Tube)

焊接彎頭擴口接頭
Weld Elbow(Tube x Tube)

- 37** 焊接異徑彎頭擴口接頭
Weld Elbow Reducer(Tube x Tube)

Weld Elbow Sweep(Tube x Tube)

- 38** 焊接三通擴口接頭
Weld Tee(All Tube)

焊接異徑三通擴口接頭
Weld Tee Reducer(All Tube)

- 39** 焊接十字擴口接頭
Weld Cross(All Tube)

焊接異徑十字擴口接頭
Weld Cross Reducer(Tube x Tube)



Multi

- 40** Multi Flare Panel Mount
Multi Flare Male Connector

- 41** Multi Flare Transition Fitting
Transition Fitting



雙密封接頭

- 42** Double Containment Adapter

雙密封接頭
Double Containment Fittings

- 43** GrabLOC®雙密封接頭(非端接)
GrabLOC® Double Containment Fittings(Non-Terminating)

- 44** GrabLOC®雙密封接頭
GrabLOC® Double Containment Fittings (Terminating)



- 45** 可攜式熱擴機台
Mobile TruFLARE™ System



- 46** 專用扭力把手
TruFASTEN™ Torque Wrenches

MC 直外牙擴口接頭
Male Connector



■ 英制

PFA Part No.	Tube OD	NPT Size
	OD	
MC42N1	1/4	1/8
MC44N1		1/4
MC46N1		3/8
MC48N1		1/2
MC412N1		3/4
MC416N1		1
MC62N1	3/8	1/8
MC64N1		1/4
MC66N1		3/8
MC68N1		1/2
MC612N1		3/4
MC616N1		1
MC82N1	1/2	1/8
MC84N1		1/4
MC86N1		3/8
MC88N1		1/2
MC812N1		3/4
MC816N1		1
MC126N1	3/4	3/8
MC128N1		1/2
MC1212N1		3/4
MC1216N1		1
MC168N1	1	1/2
MC1612N1		3/4
MC1616N1		1
MC2016N1	1-1/4	1
MC2020N1		1-1/4

MC 直外牙已擴口接頭

Male Connector (TightFLARE™)

(Female Flare x NPT) U.S. Patent 7,055,870



■ 英制

PFA Part No.	TightFLARE™	NPT Size
MC4T2N1	1/4	1/8
MC4T4N1		1/4
MC4T6N1		3/8
MC4T8N1		1/2
MC6T4N1	3/8	1/4
MC6T6N1		3/8
MC6T8N1		1/2
MC8T4N1	1/2	1/4
MC8T6N1		3/8
MC8T8N1		1/2
MC12T8N1	3/4	1/2
MC12T12N1		3/4
MC12T16N1		1
MC16T16N1	1	1

MCPM 擴口牙隔板接頭

Male Connector Panel Mount



■ 英制

PFA Part No.	Tube OD	NPT Size
	OD	
MCPM42N1	1/4	1/8
MCPM44N1		1/4
MCPM46N1		3/8
MCPM64N1	3/8	1/4
MCPM66N1		3/8
MCPM84N1	1/2	1/4
MCPM86N1		3/8
MCPM88N1		1/2
MCPM1212N1	3/4	3/4
MCPM1616N1	1	1

MCJ 直外牙擴口接頭JIS

Male Connector JIS



■ 英制

PFA Part No.	Tube OD	JIS Size
	OD	
MC44JIN1	1/4	1/4
MC46JIN1		3/8
MC48JIN1		1/2
MC64JIN1	3/8	1/4
MC66JIN1		3/8
MC68JIN1	1/2	1/2
MC84JIN1		1/4
MC86JIN1		3/8
MC88JIN1	3/4	1/2
MC812JIN1		3/4
MC126JIN1	3/4	3/8
MC128JIN1		1/2
MC1212JIN1		3/4
MC1216JIN1		1
MC1612JIN1	1	3/4
MC1616JIN1		1

FC 直內牙擴口接頭
Female Connector



■ 英制

PFA Part No.	Tube OD	NPT Size
	OD	
FC42N1	1/4	1/8
FC44N1		1/4
FC46N1		3/8
FC48N1		1/2
FC64N1	3/8	1/4
FC66N1		3/8
FC68N1		1/2
FC84N1	1/2	1/4
FC86N1		3/8
FC88N1		1/2
FC812N1		3/4
FC816N1		1
FC128N1	3/4	1/2
FC1212N1		3/4
FC1216N1		1
FC1616N		1

SU 直由任擴口接頭
Straight Union (Male Flare x Male Flare)



■ 英制

PFA Part No.	Tube OD
	OD
SU44N1	1/4
SU66N1	3/8
SU88N1	1/2
SU1212N1	3/4
SU1616N1	1
SU2020N1	1-1/4

SU 異徑直由任擴口接頭
Straight Union Reducer



■ 英制

PFA Part No.	Tube OD	
	OD1	OD2
SU64N1	3/8	1/4
SU84N1		1/4
SU86N1	1/2	3/8
SU124N1		1/4
SU126N1	3/4	3/8
SU128N1		1/2
SU168N1	1	1/2
SU1612N1		3/4
SU2016N1	1-1/4	1

SUT 單邊已擴擴口接頭
Straight Union (TightFLARE™)
(Male Flare x Female Flare) U.S. Patent 7,055,870



■ 英制

PFA Part No.	Tube OD/ TightFLARE™
SU44TN1	1/4
SU66TN1	3/8
SU88TN1	1/2
SU1212TN1	3/4
SU1616TN1	1

SPM 異徑隔板擴口接頭
Straight Union Panel Mount



■ 英制

PFA Part No.	Tube OD
	OD
SPM44N1	1/4
SPM66N1	3/8
SPM88N1	1/2
SPM1212N1	3/4
SPM1616N1	1

SPM 隔板擴口直接頭
Straight Union Panel Mount Reducer



■ 英制

PFA Part No.	Tube OD	
	OD1	OD2
SPM64N1	3/8	1/4
SPM84N1	1/2	1/4
SPM86N1		3/8
SPN126N1	3/4	3/8
SPM128N1		1/2
SPM1612N1	1	3/4

TFU 雙邊已擴擴口接頭

Union(TightFLARE™)
(Female Flare x Female Flare) U.S.Patent 7,055,870



■ 英制

PFA Part No.	TightFLARE™
TFU4N1	1/4
TFU6N1	3/8
TFU8N1	1/2
TFU12N1	3/4
TFU16N1	1
TFU20N1	1- 1/4

TFFR 異徑雙邊已擴擴口接頭

Female Reducer(TightFLARE™)
(Female Flare x Female Flare) U.S.Patent 7,055,870



■ 英制

PFA Part No.	TightFLARE™1	TightFLARE™2	
TFFR64N1	3/8	1/4	
TFFR84N1	1/2	1/4	
TFFR86N1		3/8	
TFFR124N1	3/4	1/4	
TFFR126N1		3/8	
TFFR128N1		1/2	
TFFR164N1	1	1/4	
TFFR166N1		3/8	
TFFR168N1		1/2	
TFFR1612N1		3/4	1/2
			3/4

TFMR 異徑單邊已擴擴口接頭

Male Reducer(TightFLARE™)

(Female Flare x Male) U.S.Patent 7,055,870



英制

PFA Part No.	TightFLARE™	Tube OD
		OD
TFMR64N1	3/8	1/4
TFMR84N1	1/2	1/4
TFMR86N1		3/8
TFMR124N1	3/4	1/4
TFMR126N1		3/8
TFMR128N1		1/2
TFMR164N1	1	1/4
TFMR166N1		3/8
TFMR168N1		1/2
TFMR1612N1		3/4
TFMR204N1	1-1/4	1/4
TFMR206N1		3/8
TFMR208N1		1/2
TFMR2012N1		3/4
TFMR2016N1		1

TFM Male Increaser(TightFLARE™)

(Female Flare x Male) U.S.Patent 7,055,870



英制

PFA Part No.	TightFLARE™	Tube OD
		OD
TFMI46N1	1/4	3/8
TFMI48N1		1/2
TFMI68N1	3/8	1/2
TFMI612N1		3/4
TFMI812N1	1/2	3/4
TFMI816N1		1
TFMI1216N1		1
TFMI1620N1	1	1-1/4

FMCR 異徑內外牙接頭

Female Male Connector Reducer



■ 英制

PFA Part No.	Female NPT	NPT Size
FMCR48	1/4	1/2
FMCR68	3/8	1/2
FMCR812	1/2	3/4

SU 異徑直由任擴口接頭

Reduced Orifice Fittings (Straight Union)
(Male Flare x Male Flare)



■ 英制

PFA Part No.	Tube OD
SU44N1x0.30	1/4

FMC Reduced Orifice Fittings (Male Connector)

(Male Flare x NPT)



■ 英制

PFA Part No.	Tube OD	NPT Size
	OD	
MC42N1x0.30	1/4	1/8
MC42N1x0.15	1/4	1/8

PP 擴口管塞
Pipe Plug
(Tube x Tube)



■ 英制

PFA Part No.	NPT Size
PP2	1/8
PP4	1/4
PP6	3/8
PP8	1/2
PP12	3/4
PP16	1

PN 六角雙外牙接頭擴口接頭
Pipe Nipple
(Tube x Tube)



■ 英制

PFA Part No.	NPT Size
PN2	1/8
PN4	1/4
PN6	3/8
PN8	1/2
PN12	3/4
PN16	1

MC Male Connector by Sanitary End
(Male Flare x Sanitary Size)



■ 英制

PFA Part No.	Tube OD	Sanitary Size
	OD	
MC4MINI	1/4	MINI
MC6MINI	3/8	MINI
MC8MINI	1/2	MINI
MC8MAXI		MAXI
MC12MINI	3/4	MINI
MC12MAXI		MAXI
MC16MINI	1	MINI
MC16MAXI		MAXI

UE Union Elbow by Sanitary End
(Male Flare x Sanitary Size)



■ 英制

PVDF Part No.	Tube OD	Sanitary Size
	OD	
UE12MINI	3/4	MINI
UE12MAXI		MAXI
UE16MINI	1	MINI
UE16MAXI		MAXI

ME 彎外牙擴口接頭
Male Elbow



■ 英制

PFA Part No.	Tube OD	NPT Size
	OD	
ME42N1	1/4	1/8
ME44N1		1/4
ME46N1		3/8
ME48N1		1/2
ME62N1	3/8	1/8
ME64N1		1/4
ME66N1		3/8
ME68N1		1/2
ME612N1		3/4
ME82N1	1/2	1/8
ME84N1		1/4
ME86N1		3/8
ME88N1		1/2
ME812N1		3/4
ME816N1		1
ME126N1	3/4	3/8
ME128N1		1/2
ME1212N1		3/4
ME1216N1		1
ME168N1	1	1/2
ME1612N1		3/4
ME1616N1		1

MET 彎外牙擴口接頭
 Male Elbow(TightFLARE™)
 (Female Flare x NPT)U.S.Patent 7,055,870



■ 英制

PFA Part No.	TightFLARE™	NPT Size
ME4T4N1	1/4	1/4
ME6T6N1	3/8	3/8
ME8T8N1	1/2	1/2
ME12T12N1	3/4	3/4
ME16T16N1	1	1

MEJ 彎外牙擴口接頭JIS
 Male Elbow JIS



■ 英制

PFA Part No.	Tube OD	JIS Size
	OD	
ME44JN1	1/4	1/4
ME46JN1		3/8
ME64JN1	3/8	1/4
ME66JN1		3/8
ME68JN1	1/2	1/2
ME84JN1		1/4
ME86JN1		3/8
ME88JN1		1/2
ME812JN1	3/4	3/4
ME128JN1		1/2
ME1212JN1		3/4
ME1216JN1	1	1
ME1612JN1		3/4
ME1616JN1		1

FE 彎內牙擴口接頭
Female Elbow
(Male Flare x FNPT)

■ 英制

PFA Part No.	Tube OD	NPT Size
	OD	
FE42N1	1/4	1/8
FE44N1		1/4
FE46N1		3/8
FE48N1		1/2
FE64N1	3/8	1/4
FE66N1		3/8
FE68N1		1/2
FE84N1	1/2	1/4
FE86N1		3/8
FE88N1		1/2
FE812N1		3/4
FE128N1	3/4	1/2
FE1212N1		3/4
FE1616N1	1	1



UE 彎由任擴口接頭
Union Elbow

■ 英制

PFA Part No.	Tube OD
	OD
UE44N1	1/4
UE66N1	3/8
UE88N1	1/2
UE1212N1	3/4
UE1616N1	1
UE2020N1	1-1/4



UE 異徑彎由任擴口接頭
Union Elbow Reducer

■ 英制

PFA Part No.	Tube OD	
	OD1	OD2
UE64N1	3/8	1/4
UE84N1	1/2	1/4
UE86N1		3/8
UE124N1	3/4	1/4
UE126N1		3/8
UE128N1		1/2
UE168N1	1	1/2
UE1612N1		3/4



EPMX 彎隔板擴口接頭
Union Elbow Panel Mount
(Male Flare x Male Flare)

■ 英制

PFA Part No.	Tube OD	Minimum Panel Hole Diameter
	OD	
EPMX44N1	1/4	1/2
EPMX66N1	3/8	5/8
EPMX88N1	1/2	3/4
EPMX1212N1	3/4	1



UET 異徑彎頭單邊已擴擴口接頭
 Union Elbow (TightFLARE™)
 (Male Flare x Female Flare) U.S.Patent 7,055,870



■ 英制

PFA Part No.	Tube OD	TightFLARE™
	OD	
UE44TN1	1/4	1/4
UE46TN1		3/8
UE48TN1		1/2
UE64TN1	3/8	1/4
UE66TN1		3/8
UE68TN1		1/2
UE612TN1	1/2	3/4
UE84TN1		1/4
UE86TN1		3/8
UE88TN1		1/2
UE812TN1		3/4
UE816TN1		1
UE126TN1	3/4	3/8
UE128TN1		1/2
UE1212TN1		3/4
UE1216TN1		1
UE1612TN1	1	3/4
UE1616TN1		1
UE2020TN1	1-1/4	1-1/4

UET 彎雙已擴擴口接頭
 Union Elbow (TightFLARE™)
 (Female Flare x Female Flare) U.S.Patent 7,055,870



■ 英制

PFA Part No.	TightFLARE™
UE4TN1	1/4
UE6TN1	3/8
UE8TN1	1/2
UE12TN1	3/4
UE16TN1	1
UE20TN1	1-1/4

UET 異徑彎由雙已擴任擴口接頭
 Union Elbow Reducer(TightFLARE™)
 (Female x Female Flare) U.S.Patent 7,055,870



■ 英制

PFA Part No.	TightFLARE™1	TightFLARE™2
UE6T4N1	3/8	1/4
UE8T4N1	1/2	1/4
UE8T6N1	1/2	3/8
UE12T8N1	3/4	1/2
UE16T12N1	1	3/4

UES Union Elbow Sweep
 U.S.Patent 6,164,706;6426031



■ 英制

PFA Part No.	Tube OD
	OD
UES44N1	1/4
UES66N1	3/8
UES88N1	1/2
UES1212N1	3/4
UES1616N1	1



Union Elbow Sweep(TightFLARE™)

(Male Flare x Female Flare) U.S. Patent 6,164,706;6426031;7,055,870



■ 英制

PFA Part No.	Tube OD/ TightFLARE™
UES44TN1	1/4
UES66TN1	3/8
UES88TN1	1/2
UES1212TN1	3/4
UES1616TN1	1



Union Elbow Sweep(TightFLARE™)

(Female Flare x Female Flare) U.S. Patent 6,164,706;6426031;7,055,870



■ 英制

PFA Part No.	TightFLARE™
UES4TN1	1/4
UES6TN1	3/8
UES8TN1	1/2
UES12TN1	3/4
UES16TN1	1

MES 彎由任外牙擴口接頭
Male Elbow Sweep

U.S.Patent 6,164,706;6426031;7,055,870



■ 英制

PFA Part No.	Tube OD/NPT
MES44N1	1/4
MES66N1	3/8
MES88N1	1/2
MES1212N1	3/4
MES1616N1	1

MEST Male Elbow Sweep(TightFLARE™)
U.S.Patent 6,164,706;6426031;7,055,870



■ 英制

PFA Part No.	TightFLARE™ /NPT
MES4T4N1	1/4
MES6T6N1	3/8
MES8T8N1	1/2
MES12T12N1	3/4
MES16T16N1	1

UT 三通由任擴口接頭
Union Tee



■ 英制

PFA Part No.	Tube OD
	OD
UT4N1	1/4
UT6N1	3/8
UT8N1	1/2
UT12N1	3/4
UT16N1	1
UT20N1	1-1/4

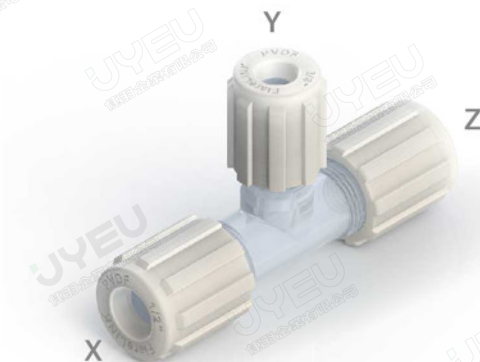
MBT 三通中心外牙擴口接頭
Male Branch Tee(TightFLARE™)
(Female Flare x NPT x Female Flare)U.S.Patent 7,055,870



■ 英制

PVDF Part No.	NPT Size
3/4	1/2
1	1/2
1	1

UT 異徑三通由任擴口接頭
Union Tee Reducer



■ 英制

PFA Part No.	Tube OD		
	OD X	OD Y	OD Z
UT464N1	1/4	3/8	1/4
UT484N1	1/4	1/2	1/4
UT644N1	3/8	1/4	1/4
UT646N1	3/8	1/4	3/8
UT664N1	3/8	3/4	1/4
UT686N1	3/8	1/2	3/8
UT844N1	1/2	1/4	1/4
UT846N1	1/2	1/4	3/8
UT848N1	1/2	1/4	1/2
UT866N1	1/2	3/8	3/8
UT868N1	1/2	3/8	1/2
UT884N1	1/2	1/2	1/4
UT886N1	1/2	1/2	3/8
UT8128N1	1/2	3/4	1/2
UT12412N1	3/4	1/4	3/4
UT12612N1	3/4	3/8	3/4
UT1288N1	3/4	1/2	1/2
UT12812N1	3/4	1/2	3/4
UT12126N1	3/4	3/4	3/8
UT12128N1	3/4	3/4	1/2
UT121612N1	3/4	1	3/4
UT16416N1	1	1/4	1
UT16616N1	1	3/8	1
UT16816N1	1	1/2	1
UT161216N1	1	3/4	1
UT161212N1	1	3/4	3/4
UT16168N1	1	1	1/2
UT161612N1	1	1	3/4

UTB 三通中間已擴擴口接頭

Union Tee Branch (TightFLARE™)

(Male Flare x Female Flare x Male Flare) U.S. Patent 7,055,870



英制

PFA Part No.	Tube OD		
	OD X	OD Y	OD Z
UT44T4N1	1/4	1/4	1/4
UT46T4N1	1/4	3/8	1/4
UT64T6N1	3/8	1/4	3/8
UT66T4N1	3/8	3/8	1/4
UT66T6N1	3/8	3/8	3/8
UT68T6N1	3/8	1/2	3/8
UT84T8N1	1/2	1/4	1/2
UT86T8N1	1/2	3/8	1/2
UT88T4N1	1/2	1/2	1/4
UT88T6N1	1/2	1/2	3/8
UT88T8N1	1/2	1/2	1/2
UT812T8N1	1/2	3/4	1/2
UT124T12N1	3/4	1/4	3/4
UT126T12N1	3/4	3/8	3/4
UT128T8N1	3/4	1/2	1/2
UT128T12N1	3/4	1/2	3/4
UT1212T6N1	3/4	3/4	3/8
UT1212T8N1	3/4	3/4	1/2
UT1212T12N1	3/4	3/4	3/4
UT1216T12N1	3/4	1	3/4
UT168T16N1	1	1/2	1
UT1612T12N1	1	3/4	3/4
UT1612T16N1	1	3/4	1
UT1616T16N1	1	1	1
UT2020T20N1	1-1/4	1-1/4	1-1/4

UTR 三通單邊已擴擴口接頭

Union Tee Run(TightFLARE™)

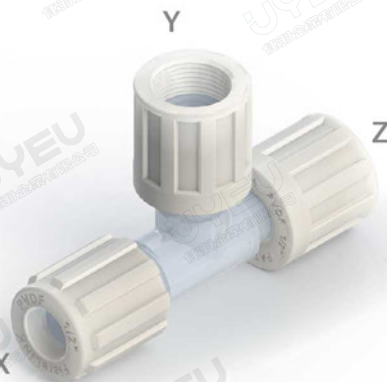
(Male Flare x Male Flare x Female Flare)U.S.Patent 7,055,870



■ 英制

PFA Part No.	Tube OD		
	OD X	OD Y	OD Z
UT444TN1	1/4	1/4	1/4
UT488TN1	1/4	1/2	1/2
UT646TN1	3/8	1/4	3/8
UT666TN1	3/8	3/8	3/8
UT668TN1	3/8	3/8	1/2
UT688TN1	3/8	1/2	1/2
UT61212TN1	3/8	3/4	3/4
UT848TN1	1/2	1/4	1/2
UT866TN1	1/2	3/8	3/8
UT868TN1	1/2	3/8	1/2
UT886TN1	1/2	1/2	3/8
UT888TN1	1/2	1/2	1/2
UT8812TN1	1/2	1/2	3/4
UT12412NT1	3/4	1/4	3/4
UT12612NT1	3/4	3/8	3/4
UT12812NT1	3/4	1/2	3/4
UT12128NT1	3/4	3/4	1/2
UT121212NT1	3/4	3/4	3/4
UT16416NT1	1	1/4	1
UT16616NT1	1	3/8	1
UT16816NT1	1	1/2	1
UT161216NT1	1	3/4	1
UT161612NT1	1	1	3/4
UT161616NT1	1	1	1
UT202020NT1	1-1/4	1-1/4	1-1/4

UTBR 三通雙邊已擴擴口接頭
 Union Tee Branch, Run (TightFLARE™)
 (Male Flare x Female Flare x Female Flare) U.S. Patent 7,055,870



■ 英制

PFA Part No.	Tube OD		
	OD X	OD Y	OD Z
UT44T4TN1	1/4	1/4	1/4
UT64T6TN1	3/8	1/4	3/8
UT66T6TN1	3/8	3/8	3/8
UT68T8TN1	3/8	1/2	1/2
UT612T12TN1	3/8	3/4	3/4
UT86T6TN1	1/2	3/8	3/8
UT86T8TN1	1/2	3/8	1/2
UT88T8TN1	1/2	1/2	1/2
UT88T12TN1	1/2	1/2	3/4
UT812T12TN1	1/2	3/4	3/4
UT128T8TN1	3/4	1/2	1/2
UT128T12TN1	3/4	1/2	3/4
UT1212T8TN1	3/4	3/4	1/2
UT1212T12TN1	3/4	3/4	3/4
UT1612T12TN1	1	3/4	3/4
UT1612T16TN1	1	3/4	1
UT1616T12TN1	1	1	3/4
UT1616T16TN1	1	1	1
UT2016T20TN1	1-1/4	1	1-1/4
UT2020T20TN1	1-1/4	1-1/4	1-1/4

UTRR 三通雙邊XZ已擴擴口接頭

Union Tee Run,Run(TightFLARE™)

(Female Flare x Male Flare x Female Flare)U.S.Patent 7,055,870



■ 英制

PFA Part No.	Tube OD		
	OD X	OD Y	OD Z
UT4T44TN1	1/4	1/4	1/4
UT4T64TN1	1/4	3/8	1/4
UT6T46TN1	3/8	1/4	3/8
UT6T66TN1	3/8	3/8	3/8
UT6T86TN1	3/8	1/2	3/8
UT8T48TN1	1/2	1/4	1/2
UT8T66TN1	1/2	3/8	3/8
UT8T84TN1	1/2	1/2	1/4
UT8T86TN1	1/2	1/2	3/8
UT8T88TN1	1/2	1/2	1/2
UT8T128TN1	1/2	3/4	1/2
UT12T412TN1	3/4	1/4	3/4
UT12T612TN1	3/4	3/8	3/4
UT12T88TN1	3/4	1/2	1/2
UT12T812TN1	3/4	1/2	3/4
UT12T1212TN1	3/4	3/4	3/4
UT12T1612TN1	3/4	1	3/4
UT16T616TN1	1	3/8	1
UT16T816TN1	1	1/2	1
UT16T126TN1	1	3/4	1
UT16T1616TN1	1	1	1
UT20T2020TN1	1-1/4	1-1/4	1-1/4

UTT 三邊已擴擴口接頭
 Union Tee (TightFLARE™) ALL
 U.S.Patent 7,055,870



■ 英制

PFA Part No.	Tube OD		
	OD X	OD Y	OD Z
UT4TN1	1/4	1/4	1/4
UT4T6T4TN1	1/4	3/8	1/4
UT6TN1	3/8	3/8	3/8
UT6T8T4TN1	3/8	1/2	1/4
UT8TN1	1/2	1/2	1/2
UT8T6T6TN1	1/2	3/8	3/8
UT8T8T4TN1	1/2	1/2	1/4
UT8T12T8TN1	1/2	3/4	1/2
UT12TN1	3/4	3/4	3/4
UT12T6T12TN1	3/4	3/8	3/4
UT12T8T12TN1	3/4	1/2	3/4
UT12T12T8TN1	3/4	3/4	1/2
UT16T12T16TN1	1	3/4	1
UT16TN1	1	1	1
UT20TN1	1-1/4	1-1/4	1-1/4

MRT 三通邊外牙擴口接頭
 Male Run Tee
 (Male Flare x Male Flare x NPT)



■ 英制

PFA Part No.	Tube OD		NPT Size
	OD1	OD2	
MRT442N1	1/4	1/4	1/8
MRT444N1	1/4	1/4	1/4
MRT446N1	1/4	1/4	3/8
MRT662N1	3/8	3/8	1/8
MRT664N1	3/8	3/8	1/4
MRT666N1	3/8	3/8	3/8
MRT668N1	3/8	3/8	1/2
MRT886N1	1/2	1/2	3/8
MRT888N1	1/2	1/2	1/2
MRT12126N1	3/4	3/4	3/8
MRT12128N1	3/4	3/4	1/2
MRT121212N1	3/4	3/4	3/4
MRT161612N1	1	1	3/4
MRT161616N1	1	1	1

MBT 三通中心外牙擴口接頭

Male Branch Tee



■ 英制

PFA Part No.	Tube OD		NPT Size
	OD1	OD2	
MBT442N1	1/4	1/4	1/8
MBT444N1	1/4	1/4	1/4
MBT448N1	1/4	1/4	3/8
MBT644N1	3/8	1/4	1/4
MBT646N1	3/8	1/4	3/8
MBT662N1	3/8	3/8	1/8
MBT664N1	3/8	3/8	1/4
MBT666N1	3/8	3/8	3/8
MBT668N1	3/8	3/8	1/2
MBT848N1	1/2	1/4	1/2
MBT866N1	1/2	3/8	3/8
MBT868N1	1/2	3/8	1/2
MBT884N1	1/2	1/2	1/4
MBT886N1	1/2	1/2	3/8
MBT888N1	1/2	1/2	1/2
MBT8812N1	1/2	1/2	3/4
MBT12124N1	3/4	3/4	1/4
MBT12128N1	3/4	3/4	1/2
MBT121212N1	3/4	3/4	3/4
MBT16164N1	1	1	1/4
MBT16166N1	1	1	3/8
MBT16168N1	1	1	1/2
MBT161612N1	1	1	3/4
MBT161616N1	1	1	1
MBT20208N1	1-1/4	1-1/4	1/2

FRT 三通邊內牙擴口接頭
 Female Run Tee
 (Male Flare x Male Flare x NPT)



■ 英制

PFA Part No.	Tube OD		NPT Size
	OD1	OD2	
FRT121212N1	3/4	3/4	3/4

FBT 三通中心內牙擴口接頭
 Female Branch Tee
 (Male Flare x NPT x Male Flare)



■ 英制

PFA Part No.	Tube OD	NPT Size
	OD	
FBT884N1	1/2	1/4
FBT12124N1	3/4	1/4
FBT121212N1		3/4
FBT16164N1	1	1/4
FBT16168N1		1/2

FP 擴口內牙管塞與螺帽
Flare Plug and Nut
(Male Flare)



■ 英制

PFA Part No.	PFA Flare Plug & Nut Part No.	Tube OD
		OD
FP4	FP4N1	1/4
FP6	FP6N1	3/8
FP8	FP8N1	1/2
FP12	FP12N1	3/4
FP16	FP16N1	1
FP20	FP20N1	1-1/4

FCA 擴口管帽
Flare Cap
(Female Flare)



■ 英制

PFA Part No.	Flare Size
FCAP4	1/4
FCAP6	3/8
FCAP8	1/2
FCAP12	3/4
FCAP16	1
FCAP20	1-1/4

N 擴口螺帽
Flare Nut



■ 英制 單位mm

PFA Part No.	Flare Size
N43	1/4
N63	3/8
N83	1/2
N123	3/4
N163	1
N203	1-1/4

N PVDF 擴口螺帽
Flare Nut PVDF



■ 英制 單位mm

PVDF Part No.	Tube OD
	OD
N41	1/4
N61	3/8
N81	1/2
N121	3/4
N161	1
N201	1-1/4

PMN PFA 螺母
Pannel Mount Nut (Half Nut) PFA



■ 英制 單位mm

PFA Part No.	Hex
PMN43	13/16
PMN63	1
PMN83	1-1/8
PMN123	1-3/8
PMN163	1-7/8

PMN PVDF 螺母
Pannel Mount Nut (Half Nut) PVDF



■ 英制 單位mm

PFA Part No.	Hex
PMN41	3/4
PMN61	15/16
PMN81	1-1/16
PMN121	1-5/16
PMN161	1-3/4

WSC 焊接直擴口接頭

Weld Straight Connector
(Pipe x Female Flare) U.S.Patent 7,055,870



■ 英制

PFA Part No.	Pipe Size	Tube OD
		OD
WSC4P4N1	1/4	1/4
WSC4P6N1		3/8
WSC4P8N1		1/2
WSC8P4N1	1/2	1/4
WSC8P6N1		3/8
WSC8P8N1		1/2
WSC8P12N1		3/4
WSC12P4N1	3/4	1/4
WSC12P6N1		3/8
WSC12P8N1		1/2
WSC12P12N1		3/4
WSC12P16N1		1
WSC16P8N1	1	1/2
WSC16P12N1		3/4
WSC16P16N1		1

WSCT 焊接直擴口接頭

Weld Straight Connector (TightFLARE™)
(Pipe x Female Flare) U.S.Patent 7,055,870



■ 英制

PFA Part No.	Pipe Size	TightFLARE™
WSC4P4TN1	1/4	1/4
WSC4P6TN1		3/8
WSC8P6TN1	1/2	3/8
WSC8P8TN1		1/2
WSC8P12TN1		3/4
WSC12P8TN1	3/4	1/2
WSC12P12TN1		3/4
WSC12P16TN1		1
WSC16P8TN1	1	1/2
WSC16P12TN1		3/4
WSC16P16TN1		1
WSC16P20TN1		1-1/4

WEC 焊接彎頭擴口接頭
Weld Elbow Connector
(Pipe x Male Flare)



■ 英制

PFA Part No.	Pipe Size	Tube OD
		OD
WEC4P4N1	1/4	1/4
WEC4P6N1		3/8
WEC8P4N1	1/2	1/4
WEC8P6N1		3/8
WEC8P8N1		1/2
WEC8P12N1		3/4
WEC12P4N1	3/4	1/4
WEC12P8N1		1/2
WEC12P12N1		3/4
WEC12P16N1		1
WEC16P12N1	1	3/4
WEC16P16N1		1

WECT 焊接彎頭擴口接頭
Weld Elbow Connector (TightFLARE™)
(Pipe x Female Flare) U.S. Patent 7,055,870



■ 英制

PFA Part No.	Pipe Size	TightFLARE™
WEC4P4TN1	1/4	1/4
WEC4P6TN1		3/8
WEC8P4TN1	1/2	1/4
WEC8P6TN1		3/8
WEC8P8TN1		1/2
WEC8P12TN1		3/4
WEC12P8TN1	3/4	1/2
WEC12P12TN1		3/4
WEC12P16TN1	1	1
WEC16P12TN1		3/4
WEC16P16TN1		1

WSR 焊接異徑直接頭

Weld Straight Reducer
(Pipe x Pipe)



■ 英制

PFA Part No.	Pipe Size
WSR8P4P	1/2x1/4
WSR12P4P	3/4x1/4
WSR12P8P	3/4x1/2
WSR16P4P	1x1/4
WSR16P8P	1x1/2
WSR16P12P	1x3/4

WCAP 焊接管帽

Weld Pipe Cap



■ 英制

PFA Part No.	Pipe Size
WCAP4	1/4
WCAP8	1/2
WCAP12	3/4
WCAP16	1

WUE 焊接彎由任接頭

Weld Union Elbow
(Pipe x Pipe)



■ 英制

PFA Part No.	Pipe Size
WUE4P	1/4
WUE8P	1/2
WUE8PX	1/2
WUE12P	3/4
WUE12PX	3/4
WUE16P	1
WUE16PX	1

X=Extended

WUT 焊接三通由任接頭

Weld Union Tee
(Pipe x Pipe)



■ 英制

PFA Part No.	Pipe Size
WUT4P	1/4
WUT8P	1/2
WUT8PX	1/2
WUT12P	3/4
WUT12PX	3/4
WUT16P	1
WUT16PX	1

X=Extended

WMA Weld Male Adapter
(Pipe x NPT)



■ 英制

PFA Part No.	Pipe Size	NPT Size
WMA4P4	1/4	1/4
WMA8P6	1/2	3/8
WMA8P8	1/2	1/2
WMA12P8	3/4	1/2
WMA12P12	3/4	3/4
WMA16P16	1	1

WFA Weld Female Adapter
(Pipe x NPT)



■ 英制

PFA Part No.	Pipe Size	NPT Size
WFA4P4	1/4	1/4
WFA8P6	1/2	3/8
WFA8P8	1/2	1/2
WFA12P12	3/4	3/4
WFA16P16	1	1

WSR 焊接異徑直擴口接頭
Weld Straight Reducer
(Tube x Tube)



■ 英制

PFA Part No.	Tube OD
	OD
WSR6TS4TS	3/8 × 1/4
WSR8TS4TS	1/2 × 1/4
WSR8TS6TS	1/2 × 3/8
WSR12TS4TS	3/4 × 1/4
WSR12TS6TS	3/4 × 3/8
WSR12TS8TS	3/4 × 1/2
WSR16TS4TS	1 × 1/4
WSR16TS6TS	1 × 3/8
WSR16TS8TS	1 × 1/2
WSR16TS12TS	1 × 3/4
WSR20TS16TS	1-1/4 × 1

WE 焊接彎頭擴口接頭
Weld Elbow
(Tube x Tube)



■ 英制

PFA Part No.	Tube OD
	OD
WE4TS	1/4
WE6TS	3/8
WE8TS	1/2
WE12TS	3/4
WE16TS	1
WE20TS	1-1/4

WER 焊接異徑彎頭接頭
Weld Elbow Reducer
(Tube x Tube)



■ 英制

PFA Part No.	Tube OD
	OD
WE6TS4TS	3/8x1/4
WE8TS4TS	1/2x1/4
WE8TS6TS	1/2x3/8
WE12TS8TS	3/4x1/2
WE16TS8TS	1x1/2
WE16TS12TS	1x3/4

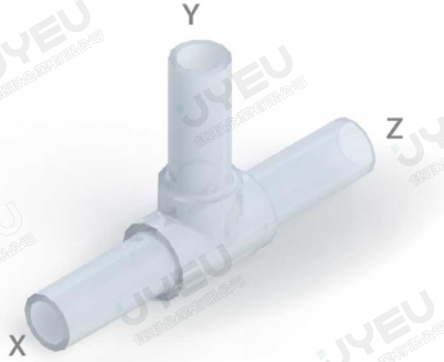
WES Weld Elbow Sweep
(Tube x Tube)



■ 英制

PFA Part No.	Tube OD
	OD
WES4TS	1/4
WES6TS	3/8
WES8TS	1/2
WES12TS	3/4
WES16TS	1

WT 焊接三通擴口接頭
Weld Tee
(All Tube)



■ 英制

PFA Part No.	Tube OD
	OD
WT4TS	1/4
WT6TS	3/8
WT8TS	1/2
WT12TS	3/4
WT16TS	1
WT20TS	1-1/4

WTR 焊接異徑三通擴口接頭
Weld Tee Reducer
(All Tube)



■ 英制

PFA Part No.	Tube OD		
	X OD	Y OD	Z OD
WT6TS4TS6TS	3/8	1/4	3/8
WT8TS4TS8TS	1/2	1/4	1/2
WT8TS6TS8TS	1/2	3/8	1/2
WT12TS4TS12TS	3/4	1/4	3/4
WT12TS6TS12TS	3/4	3/8	3/4
WT12TS8TS12TS	3/4	1/2	3/4
WT16TS8TS16TS	1	1/2	1
WT16TS12TS16TS	1	3/4	1
WT20TS16TS20TS	1-1/4	1	1-1/4

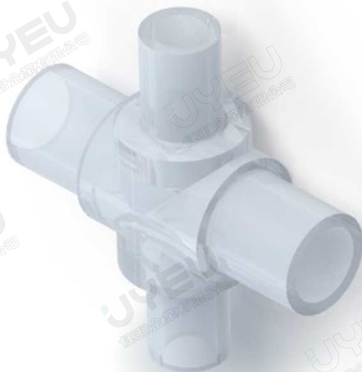
WX 焊接十字擴口接頭
Weld Cross
(All Tube)



■ 英制

PFA Part No.	Tube OD
	OD
WX4TS	1/4
WX6TS	3/8
WX8TS	1/2
WX12TS	3/4
WX16TS	1
WX20TS	1-1/4

MC 焊接異徑十字擴口接頭
Weld Cross Reducer
(All Tube)



■ 英制

PFA Part No.	Tube OD
	OD
WX6TS4TS	3/8 × 1/4
WX8TS6TS	1/2 × 3/8
WX12TS8TS	3/4 × 1/2
WX16TS12TS	1 × 3/4

MUSUP

Multi Flare Panel Mount
(Male Flare x Male Flare) U.S. Patent 5,833278



■ 英制

PVDF Part No.	Tube OD	Ports
	OD	
MUSUPM42	1/4	2
MUSUPM43		3
MUSUPM44		4
MUSUPM46		6

MMC

Multi Flare Male Connector
(Male Flare x NPT) U.S. Patent 5,833278



■ 英制

PVDF Part No.	Tube OD	NPT Size	Ports
	OD		
MMC482	1/4	1/2	2
MMC483			3
MMC4122	1/4	3/4	2
MMC4123			3
MMC4124			4
MMC4163	1	1	3
MMC4164			4
MMC4166			6

MUSUP Multi Flare Transition Fitting
(Male Flare x MM Pipe) U.S. Patent 5,833278

■ 英制

PVDF Part No.	Tube OD	Ports
	OD	
MTSF420MM2	1/4	2
MTSF420MM3		3
MTSF425MM2		2
MTSF425MM3		3
MTSF425MM4		4
MTSF432MM3		3
MTSF432MM4		4
MTSF432MM6		6



TSF Transition Fitting
(Male Flare x MM Pipe)

■ 英制

PVDF Part No.	Tube OD
	OD
TSF420MM	1/4
TSF425MM	1/4
TSF620MM	3/8
TSF625MM	
TSF820MM	1/2
TSF825MM	
TSF832MM	
TSF840MM	
TSF1220MM	3/4
TSF1225MM	
TSF1232MM	
TSF1240MM	
TSF1625MM	1
TSF1632MM	
TSF1640MM	
TSF1650MM	
TSF1663MM	1-1/4
TSF2040MM	
TSF2050MM	
TSF2063MM	



DC Double Containment Adapter



■ 英制

PFA Part No.	Primary OD	Containment OD
DC48	1/4	1/2
DC612	3/8	3/4
DC812	1/2	3/4
DC1216	3/4	1

PMDC 雙密封接頭

Double Containment Fittings

Panel Mount Double Containment with O-Ring Containment Seal



■ 英制

PFA Part No.	Primary OD	Containment OD	Minimum Panel Hole Diameter
PM44DC8N1	1/4	1/2	1/2
PM66DC12N1	3/8	3/4	15/8
PM88DC12N1	1/2	3/4	3/4
PM1212DC16N1	3/4	1	1

GrabLOC® 雙密封接頭(非端接)

GrabLOC® Double Containment Fittings(Non-Terminating)

PMBP series



Feature

- PFA配件主體
PFA Fitting Body
- PVDF螺帽
PVDF Nut

英制

PVDF Part No.	Secondary Containment Tubing	Panel Mount Hole	Primary Tubing Sizes
PMBP8GLN1	1/2	1-1/4	1/4
PMBP12GLN1	3/4	1-1/2	1/2, 3/8, 1/4
PMBP16GLN1	1	2	3/4, 1/2, 3/8, 1/4

MCBP series



Feature

- PFA配件主體
PFA Fitting Body
- PVDF螺帽
PVDF Nut
- MNPT連接頭
MNPT Connection

英制

PVDF Part No.	Secondary Containment Tubing	Panel Mount Hole	Primary Tubing Sizes
MCBP8GL12N1	1/2	3/4	1/4
MCBP12GL16N1	3/4	1	1/2, 3/8, 1/4
MCBP16GL20N1	1	1-1/4	3/4, 1/2, 3/8, 1/4

GrabLOC®雙密封接頭

GrabLOC® Double Containment Fittings (Terminating)

PMBP series

Feature

- PFA配件主體
PFA Fitting Body
- PVDF螺帽
PVDF Nut

■ 英制



PVDF Part No.	Secondary Containment Tubing	Panel Mount Hole	Primary Tubing Sizes
PMDC48GLN1	1/4	1/2	1
PMDC612GLN1	3/8	3/4	1-1/4
PMDC812GLN1	1/2	3/4	1-1/4
PMDC816GLN1	1/2	1	1-1/2
PMDC1216GLN1	3/4	1	1-1/2
PMDC1620GLN1	1	1-1/4	2

MCBP series

Feature

- PFA配件主體
PFA Fitting Body
- PVD螺帽
PVDF Nut
- MNPT連接頭
MNPT Connection

■ 英制



PVDF Part No.	Secondary Containment Tubing	Panel Mount Hole	Primary Tubing Sizes
MCDC48GL8N1	1/4	1/2	1/2
MCDC612GL12N1	3/8	3/4	3/4
MCDC812GL12N1	1/2	3/4	3/4
MCDC816GL16N1	1/2	1	1
MCDC1216GL16N1	3/4	1	1
MCDC1620GL20N1	1	1-1/4	1-1/4

GrabLOC®雙密封三通

GrabLOC® Double Containment Tee

■ 英制



PVDF Part No.	Secondary Containment Tubing	Panel Mount Hole	Primary Tubing Sizes
GLT8BP-8-4BPN-1	1/2	1/2	1/4
GLT12BP-8-6BPN-1	3/4	1/2	3/8
GLT12BP-12-8BPN-1	3/4	3/4	1/2
GLT16BP-12-8BPN-1	1	3/4	1/2
GLT16BP-16-12BPN-1	1	1	3/4

可攜式熱擴機台
Mobile TruFLARE™ System



主要特色

- 熱擴完成後保持擴口定型。
- 機台設計精巧, 容易攜帶。
- 加熱頭可自由移動, 方便操作。
- 可重複熱擴, 省時省力。

Part No.	Tube Material	Mandrels Included	Voltage
MTF416110	PFA	1/4,3/8,1/2,3/4,1	110V
MTF416220			220V
MTF20110		1-1/4	110V
MTF20220			220V
MTF202440MM110+		1-1/4,1-1/2	110V
MTF202440MM220+			220V
MTF416110FEP	FEP	1/4,3/8,1/2,3/4,1	110V
MTF416220FEP			220V
MTF416110P*	PFA	1/4,3/8,1/2,3/4,1	110V
MTF416220P*			220V

*PTFE Mandrels

+Speical Order

專用扭力把手

TruFASTEN™ Torque Wrenches

主要特色

- 把手扭力特殊設計，針對螺帽規格量身定做。
- 正確使用把手安裝，當聽到"click"聲時表示接頭已鎖緊。
- 把頭的齒輪式設計讓安裝動作更簡易快速。
- 把手操作範圍廣泛，即使是設計要安裝在牆面的接頭也相當容易。
- PFA與PVDF材質螺帽分別使用不同把手。

Nut Size	PFA Part No.	PVDF Part No.
1/4	TFW43	TFW41
3/8	TFW63	TFW61
1/2	TFW83	TFW81
3/4	TFW123	TFW121
1	TFW163	TFW161
Complete Set (All Size Listed above)	TFWS3	TFWS1

聲響即鎖緊

CLICK OVER FEATURE

CLICK

Color coded handles

Blue 藍色把手為PFA材質專用

Red 紅色把手為PVDF材質專用

起始狀態

START POSITION

用畢狀態

FINISH POSITION

棘輪機構

RATCHETING ACTION

CLICK

誠信 負責 創新 效率

Honesty
Responsible
Efficiency
Innovation

官方臉書
Official Facebook



官方網站
Official Website



JYEYU
捷羽企業有限公司

捷羽企業有限公司
客服信箱: service@jyeu.com.tw
公司電話: 03-5625050
公司傳真: 03-5629290
地址: 新竹市東區公園路216巷9號

JYE YEU ENTERPRISE CO., LTD.
Customer Email: service@jyeu.com.tw
Customer Service: +886-3-5625050
No.9, Ln.216., Gong Yuan Rd., East Dist.,
Hsin Chu City., Taiwan.

